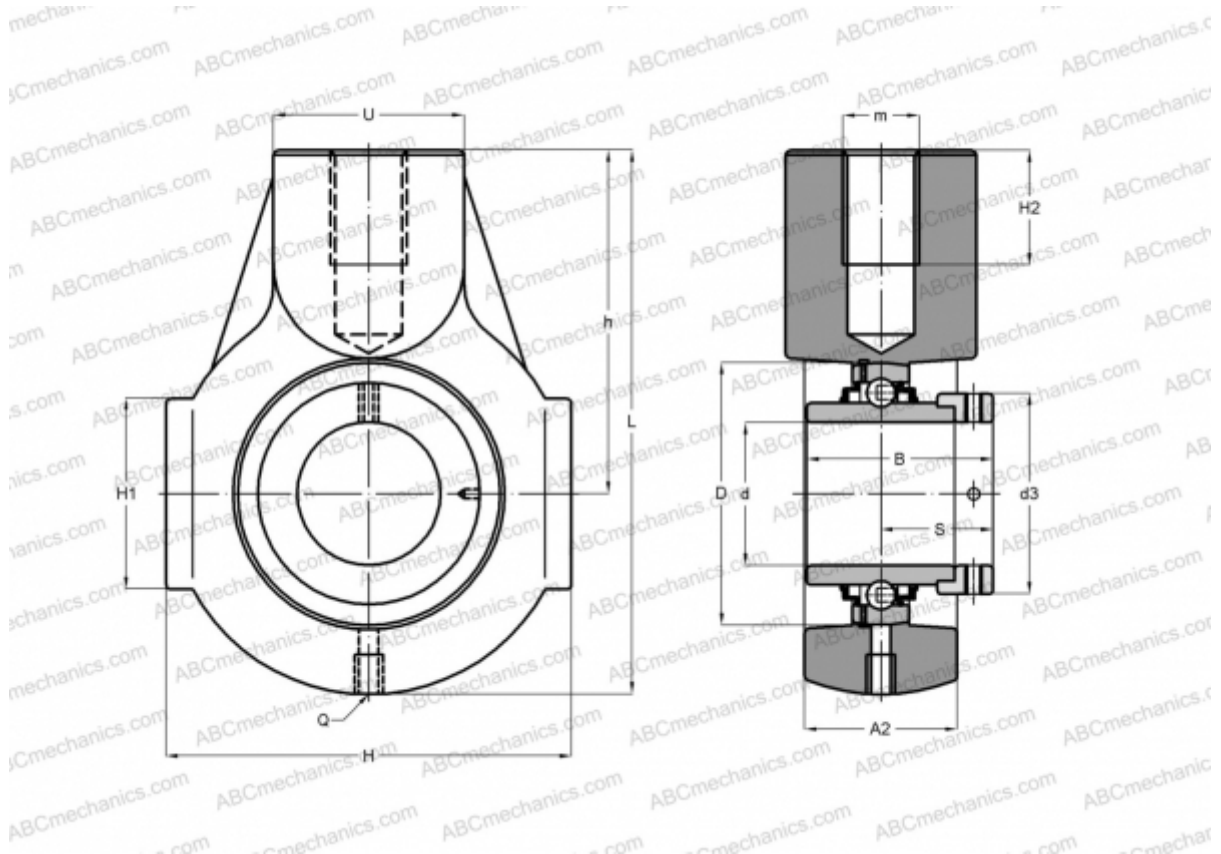


RHE40 INA

Ball bearing units

TYPE: Housing units, Take-up housing units, Cast iron housing, Radial insert ball bearing with eccentric locking collar, Type RHE (INA)



Technical specification

DIMENSIONS, MM

d	40,000
D	80,000
B	56,500
L	135,000
H	100,000
H2	24,000
A2	36,000
H1	45,000
S	35,100
d3	58,000
U	40,000
h	85,000
Q	Rp1/8

Bearing	GE40-KRR-B
Housing	GG.HE08

MANUFACTURER

[INA](#)

CALCULATION DATA

Basic dynamic load rating, C	32,500 kN
Basic static load rating, Co	19,800 kN

WEIGHT, KG 1,770