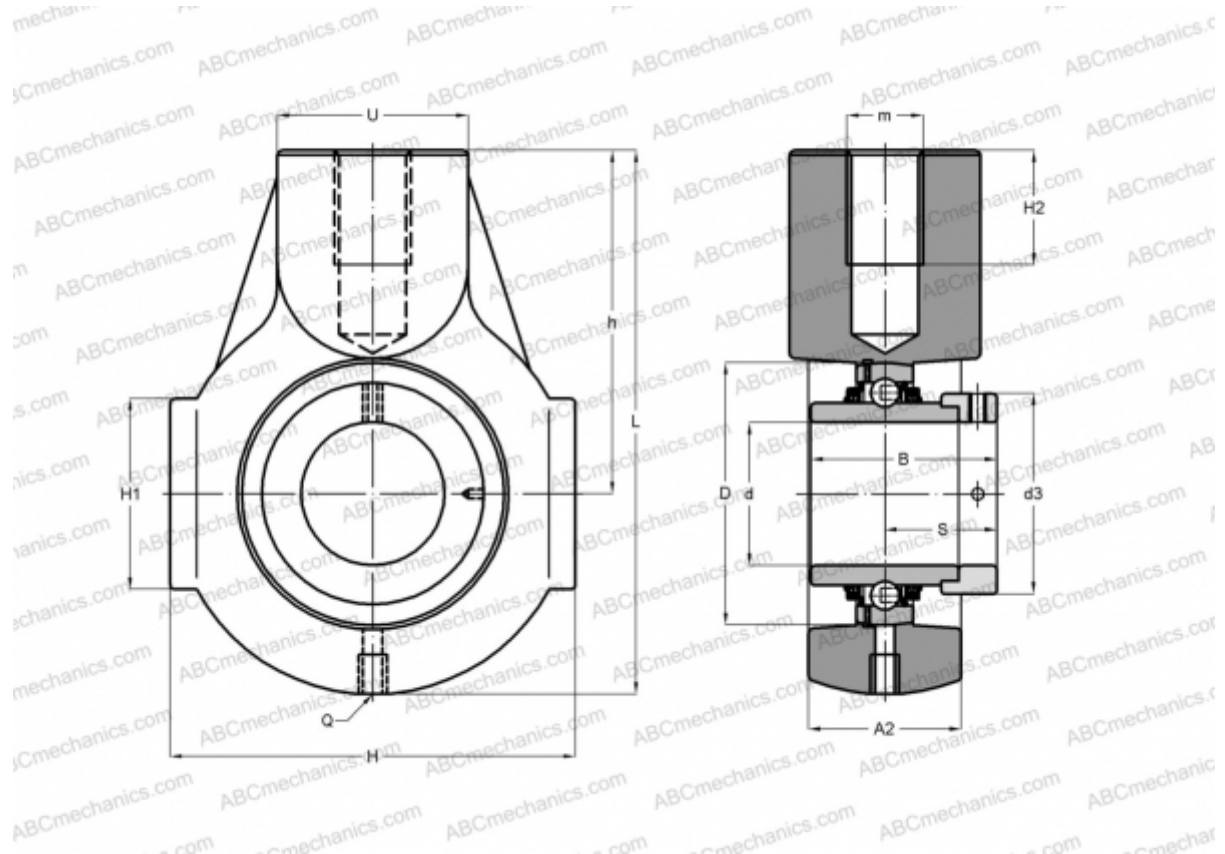


## THE30 INA

Ball bearing units

TYPE: Housing units, Take-up housing units, Cast iron housing, Radial insert ball bearing with eccentric locking collar, Type THE (INA)



### Technical specification

#### DIMENSIONS, MM

|    |         |
|----|---------|
| d  | 30,000  |
| D  | 62,000  |
| B  | 48,500  |
| L  | 114,000 |
| H  | 85,000  |
| H2 | 24,000  |
| A2 | 32,000  |
| H1 | 40,000  |
| S  | 30,200  |
| d3 | 44,000  |
| U  | 40,000  |
| h  | 72,000  |
| Q  | Rp1/8   |

**WEIGHT, KG** 1,170

|         |            |
|---------|------------|
| Bearing | GE30-KTT-B |
| Housing | GG.HE06    |

#### MANUFACTURER

[INA](#)

#### CALCULATION DATA

|                              |           |
|------------------------------|-----------|
| Basic dynamic load rating, C | 19,500 kN |
| Basic static load rating, Co | 11,300 kN |