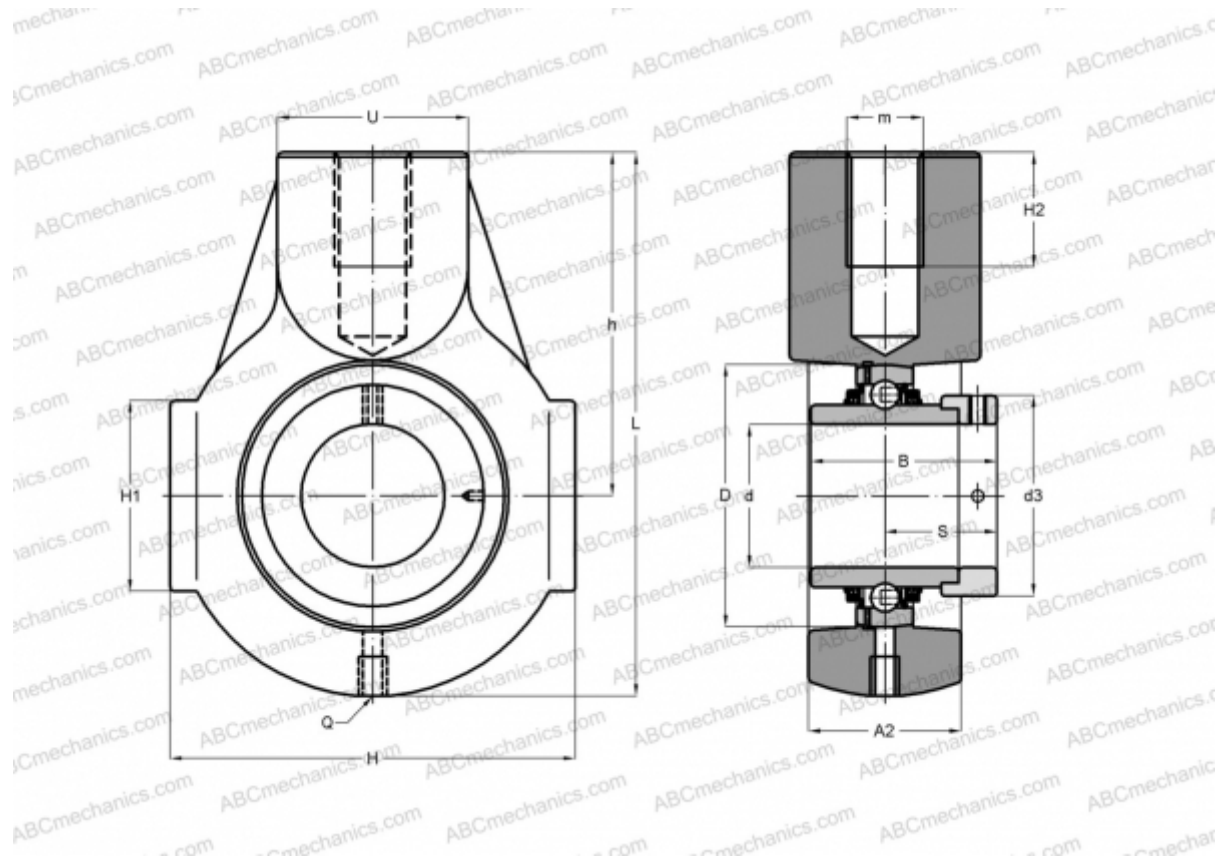


## THE35 INA

Ball bearing units

TYPE: Housing units, Take-up housing units, Cast iron housing, Radial insert ball bearing with eccentric locking collar, Type THE (INA)



### Technical specification

#### DIMENSIONS, MM

d	35,000
D	72,000
B	51,300
L	122,000
H	90,000
H2	24,000
A2	32,000
H1	49,000
S	32,500
d3	51,000
U	40,000
h	76,000
Q	Rp1/8

**WEIGHT, KG** 1,350

Bearing	GE35-KTT-B
Housing	GG.HE07

#### MANUFACTURER

[INA](#)

#### CALCULATION DATA

Basic dynamic load rating, C	25,500 kN
Basic static load rating, Co	15,300 kN