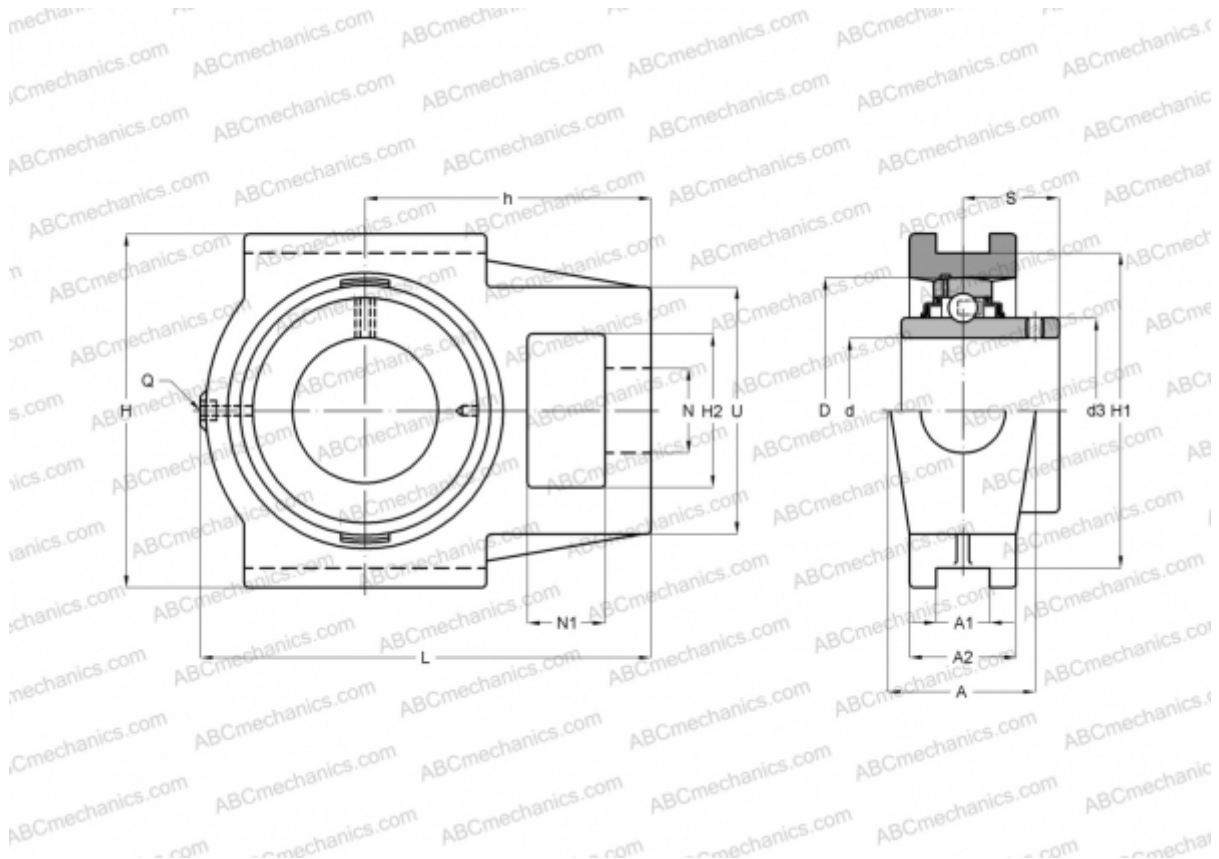


RTUEY80 INA

Ball bearing units

TYPE: Housing units, Take-up housing units, Cast iron housing, Radial insert ball bearing with grub screws in inner ring, Type RTUEY (INA)



Technical specification

DIMENSIONS, MM

d	80,000
D	140,000
B	82,600
L	230,000
H	184,000
A	70,000
H2	70,000
A1	28,000
A2	50,000
H1	165,000
N	41,000
N1	35,000
S	49,300
U	110,000
h	140,000

DIMENSIONS, MM

Q	Rp1/8
---	-------

WEIGHT, KG

Bearing	7,630
Housing	GYE80-KRR-B
	GG.TUE16

MANUFACTURER

[INA](#)

CALCULATION DATA

Basic dynamic load rating, C	72,000 kN
Basic static load rating, Co	54,000 kN