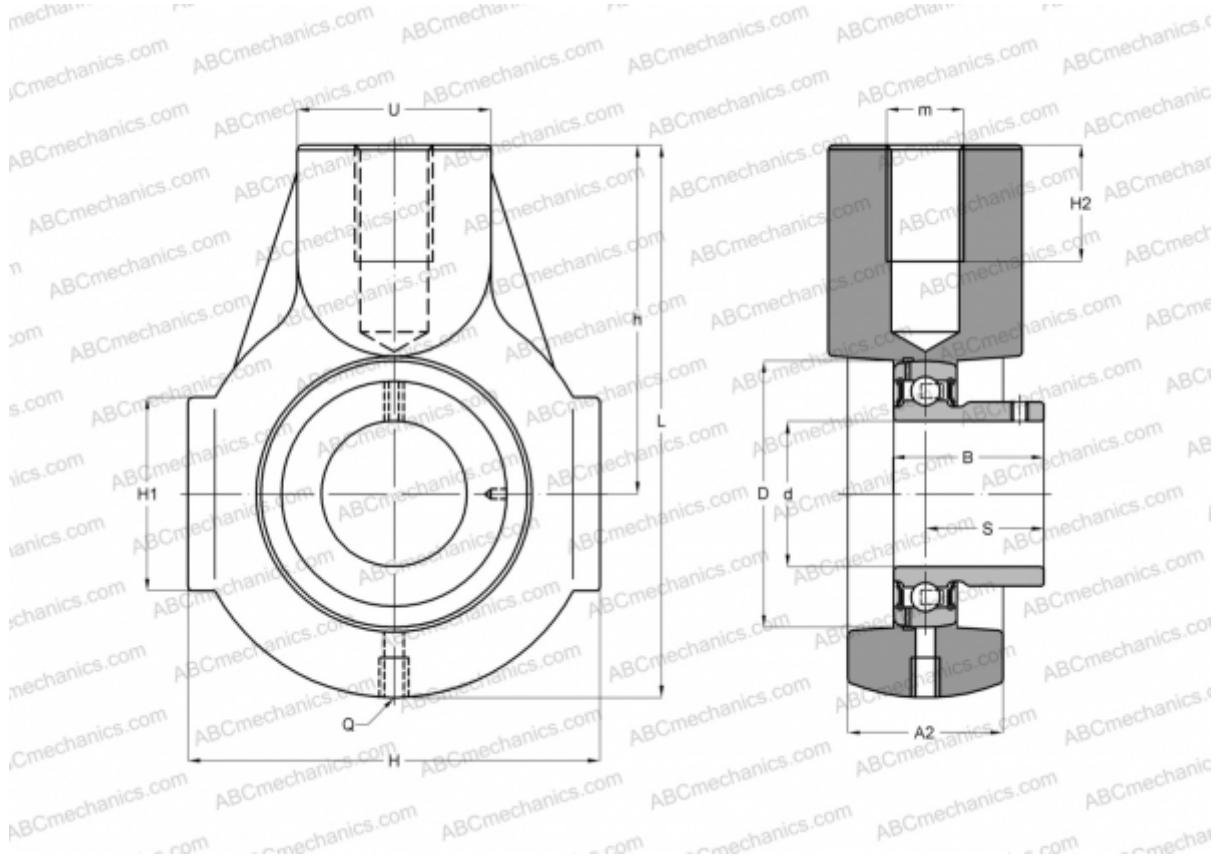


## PHEY30 INA

Ball bearing units

TYPE: Housing units, Take-up housing units, Cast iron housing, Radial insert ball bearing with grub screws in inner ring, Type PHEY (INA)



### Technical specification

#### DIMENSIONS, MM

d	30,000
D	62,000
B	30,000
L	114,000
H	85,000
H2	24,000
A2	32,000
H1	40,000
S	21,000
U	40,000
h	72,000
Q	Rp1/8

**WEIGHT, KG** 1,030

Bearing	GAY30-NPP-B
Housing	GG.HE06

#### MANUFACTURER

[INA](#)

#### CALCULATION DATA

Basic dynamic load rating, C	19,500 kN
Basic static load rating, Co	11,300 kN