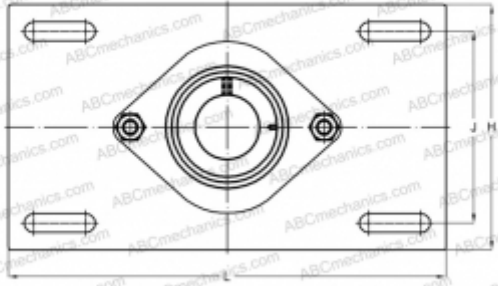
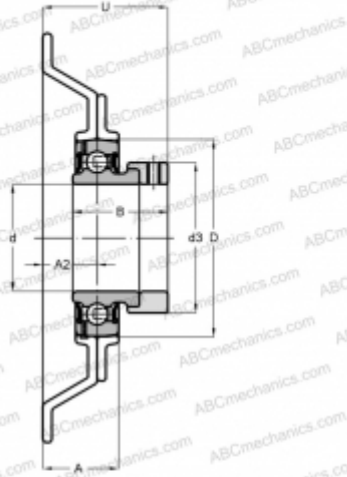


MSTU30 INA

Ball bearing units

TYPE: Housing units, Take-up housing units, Sheet steel housing, Radial insert ball bearing with eccentric locking collar, Without relubrication facility, type MSTU (INA)



Technical specification

DIMENSIONS, MM

d	30,000
D	62,000
B	35,800
L	203,200
H	114,300
A	21,100
J	89,200
A2	12,100
d3	44,000
U	37,800

WEIGHT, KG

Bearing	RAE30-NPP-B
Housing	GEH62-MSTU

MANUFACTURER

[INA](#)

CALCULATION DATA

Basic dynamic load rating, C	19,500 kN
Basic static load rating, Co	11,300 kN