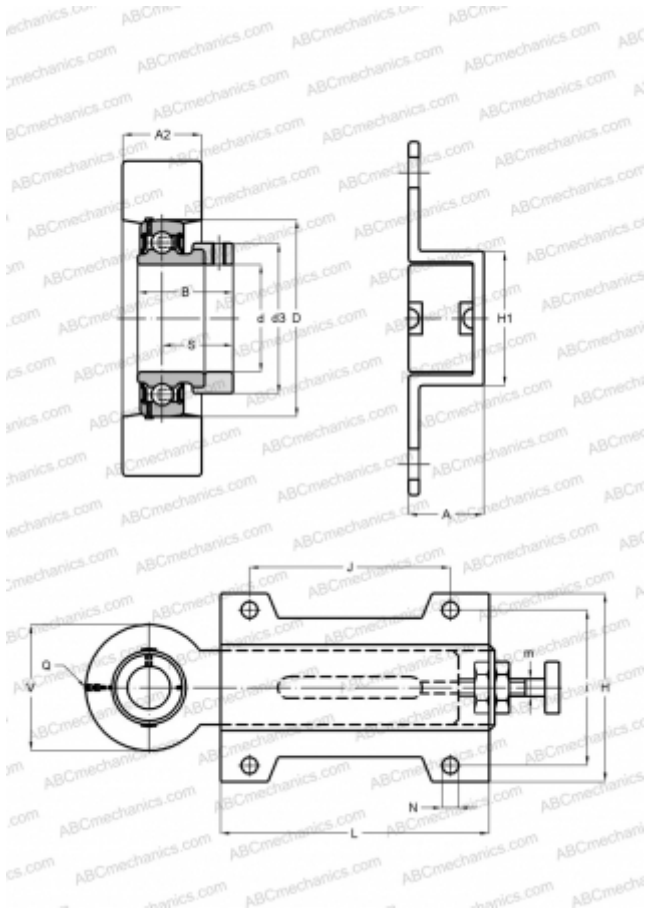


PHUSE40 INA

Ball bearing units

TYPE: Housing units, Take-up housing units, Cast iron and sheet steel housing, Radial insert ball bearing with eccentric locking collar, Type PHUSE (INA)



Technical specification

DIMENSIONS, MM

d	40,000
D	80,000
B	43,800
L	256,000
H	130,000
A	36,000
J	180,000
A2	30,000
H1	60,000
N	14,000
S	32,700
d3	58,000
V	108,000
I	100,000
Q	Rp1/8

WEIGHT, KG

Bearing	GRAE40-NPP-B
Housing	HUE08 / HUSE10

MANUFACTURER

[INA](#)

CALCULATION DATA

Basic dynamic load rating, C	32,500 kN
Basic static load rating, Co	19,800 kN