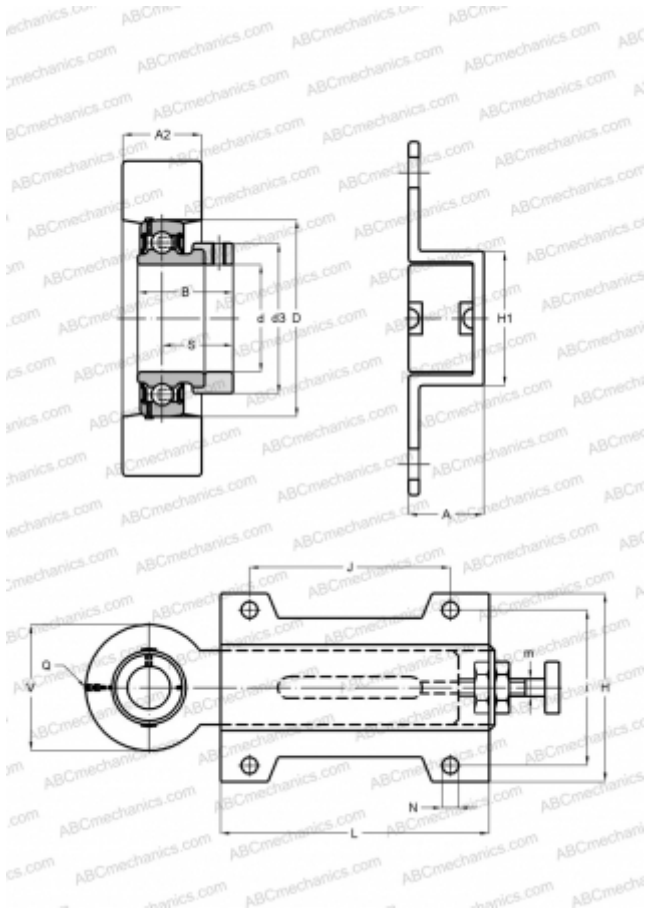


## PHUSE50-N INA

Ball bearing units

TYPE: Housing units, Take-up housing units, Cast iron and sheet steel housing, Radial insert ball bearing with eccentric locking collar, Type PHUSE (INA)



### Technical specification

#### DIMENSIONS, MM

d	50,000
D	90,000
B	43,800
L	256,000
H	130,000
A	36,000
J	180,000
A2	30,000
H1	60,000
N	14,000
S	32,700
d3	69,000
V	120,000
I	100,000
Q	Rp1/8

#### WEIGHT, KG

Bearing	GRAE50-NPP-B
Housing	HUE10 / HUSE10

#### MANUFACTURER

[INA](#)

#### CALCULATION DATA

Basic dynamic load rating, C	35,000 kN
Basic static load rating, Co	23,200 kN