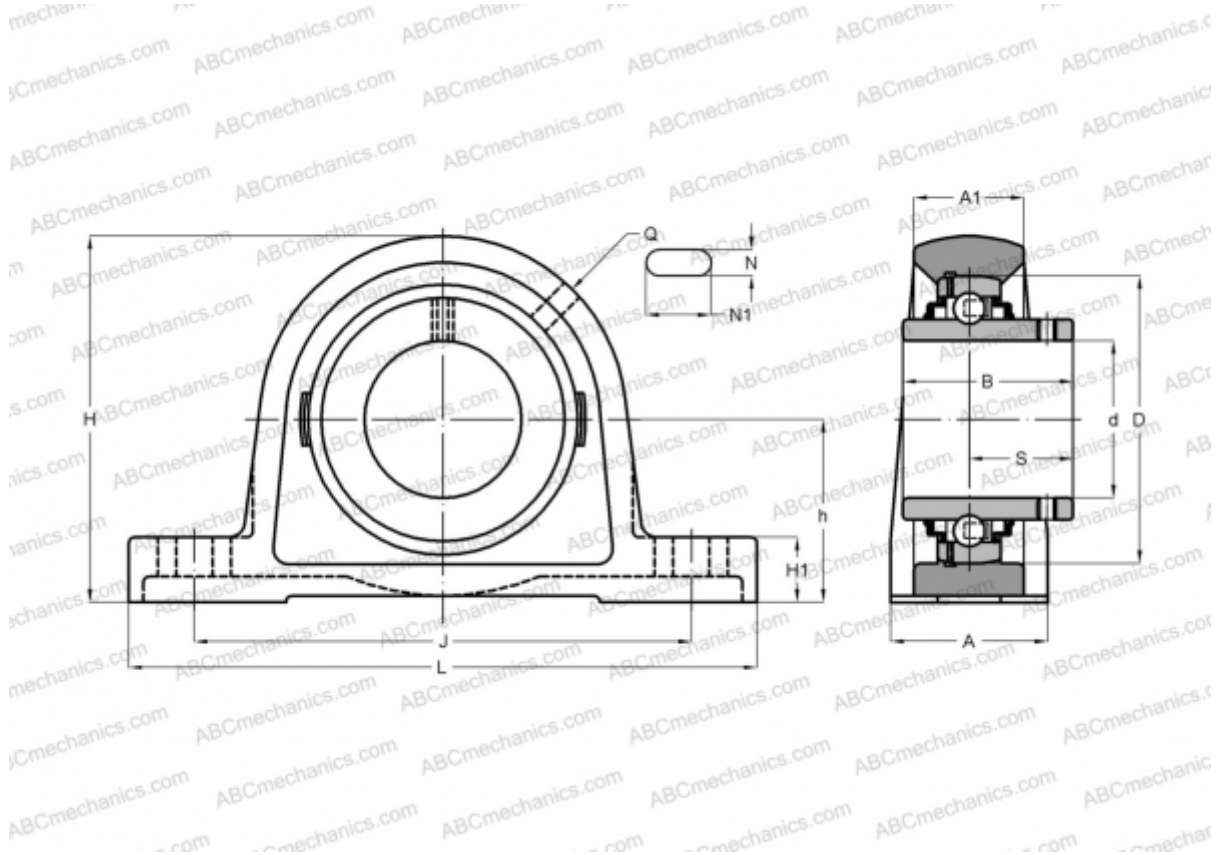


## UCP 202 ASAHI

Ball bearing units

TYPE: Housing units, Plummer block, Cast iron housing, Radial insert ball bearing with grub screws in inner ring, With inner ring extended on both sides, massive bearing units



### Technical specification

#### DIMENSIONS, MM

d	15,000
D	47,000
B	31,000
L	127,000
H	62,000
A	38,000
J	95,000
H1	15,000
N	13,000
N1	19,000
S	18,300
h	30,200

**WEIGHT, KG** 0,630

Bearing	UC 202
Housing	P 203

#### MANUFACTURER

[ASAHI](#)

#### INTERCHANGE

ABC	<a href="#">UCP202</a>
SNR	<a href="#">UCP202</a>
SLB	<a href="#">UCP202</a>
FYH	<a href="#">UCP 202</a>
NTN	<a href="#">UCP 202 D1</a>