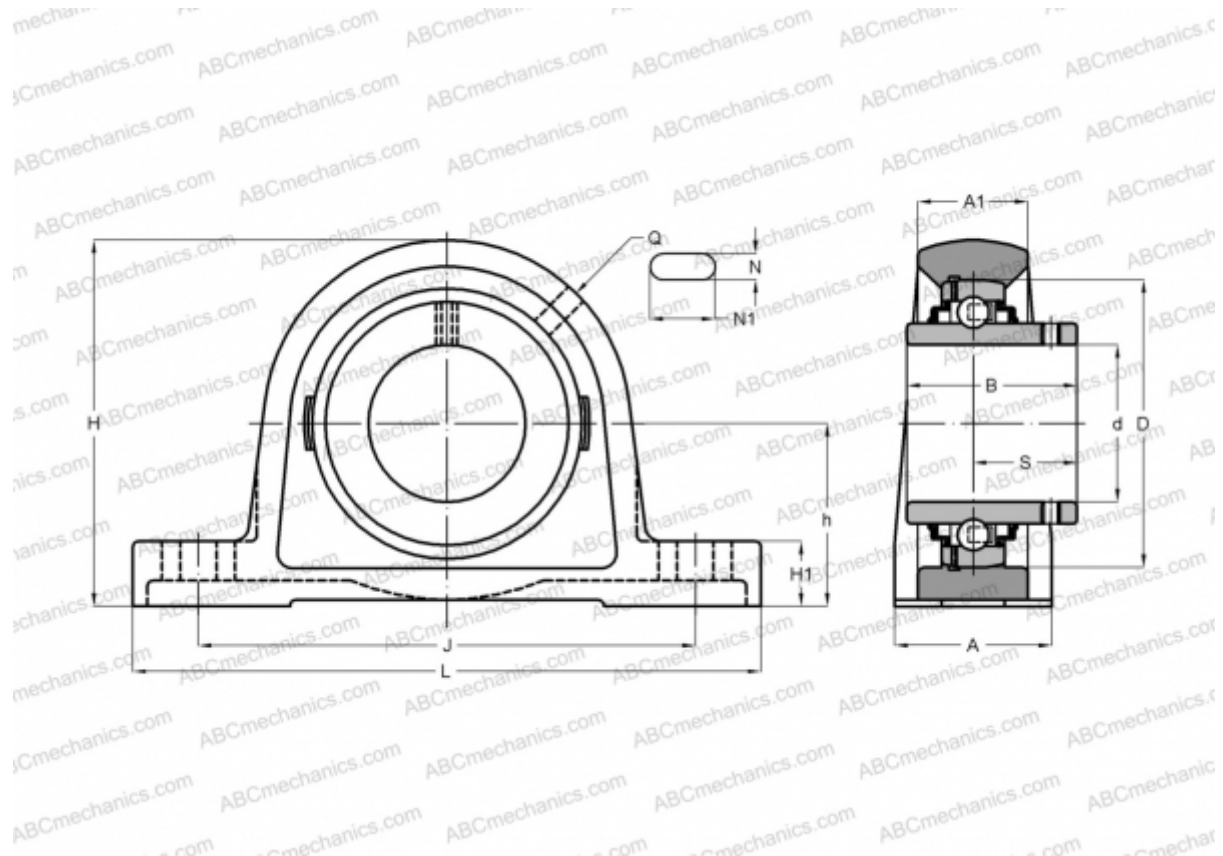


UCP217 ABC

Ball bearing units

TYPE: Housing units, Plummer block, Cast iron housing, Radial insert ball bearing with grub screws in inner ring, With inner ring extended on both sides, massive bearing units



Technical specification

DIMENSIONS, MM

d	85,000
D	150,000
L	310,000
H	187,000
A	53,000
J	247,000
A1	83,000
H1	32,000
N	25,000
N1	31,000
S	51,600
h	95,200
Q	M10x1

WEIGHT

10,800

Bearing	UC217
Housing	P217

MANUFACTURER

[ABC](#)

INTERCHANGE

ASAHI	UCP 217
SNR	UCP217
SLB	UCP217
FYH	UCP 217
NTN	UCP 217 D1