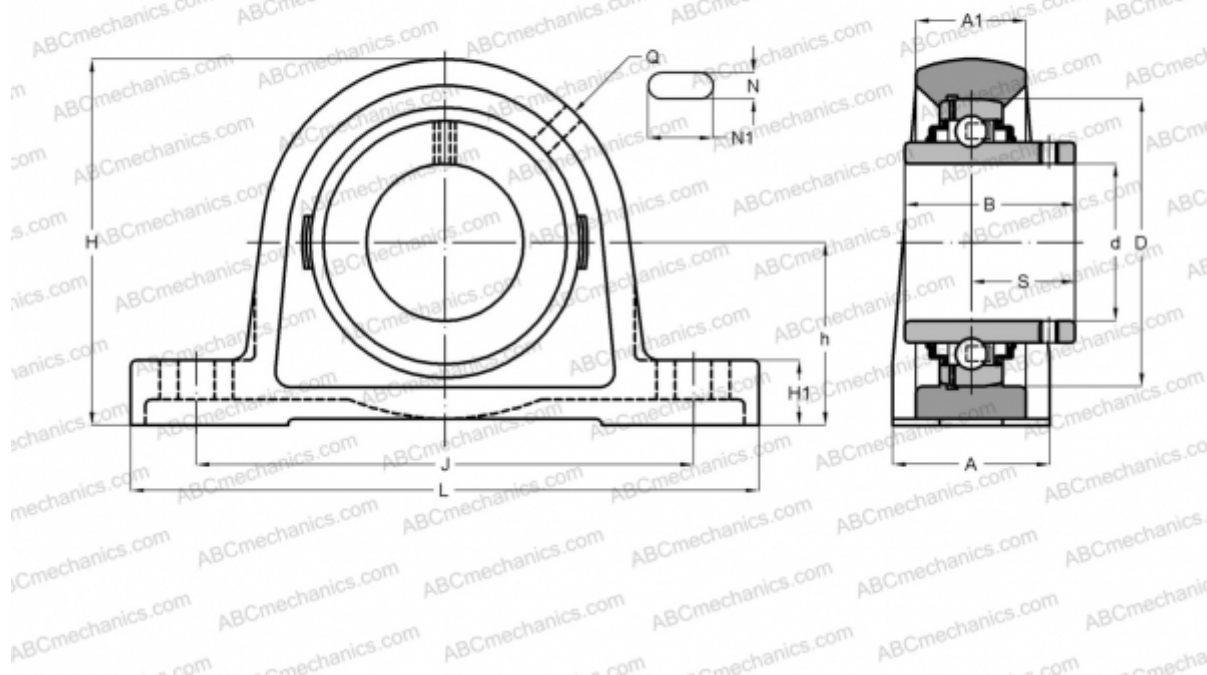


UCP 217 ASAHI

Ball bearing units

TYPE: Housing units, Plummer block, Cast iron housing, Radial insert ball bearing with grub screws in inner ring, With inner ring extended on both sides, massive bearing units



Technical specification

DIMENSIONS, MM

d	85,000
D	150,000
B	85,700
L	310,000
H	187,000
A	83,000
J	247,000
H1	32,000
N	25,000
N1	31,000
S	51,600
h	95,200

WEIGHT

12,200

Bearing	UC 217
Housing	P 217

MANUFACTURER

[ASAHI](#)

INTERCHANGE

ABC	UCP217
SNR	UCP217
SLB	UCP217
FYH	UCP 217
NTN	UCP 217 D1