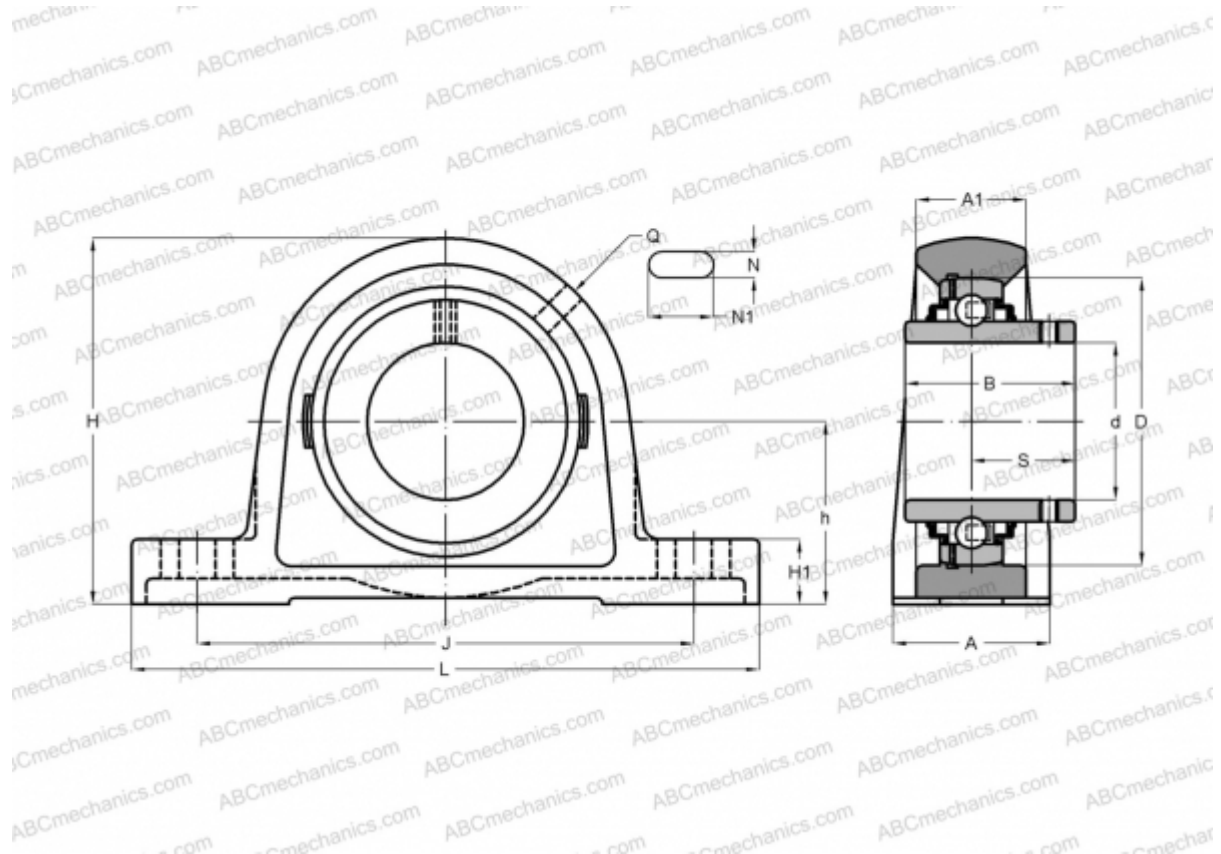


## UCP217 SNR

Ball bearing units

TYPE: Housing units, Plummer block, Cast iron housing, Radial insert ball bearing with grub screws in inner ring, With inner ring extended on both sides, massive bearing units



### Technical specification

#### DIMENSIONS, MM

d	85,000
D	150,000
L	310,000
H	187,000
A	53,000
J	247,000
A1	83,000
H1	32,000
N	25,000
N1	31,000
S	51,600
h	95,200
Q	M10x1

#### WEIGHT

10,800

#### CALCULATION DATA

Operating temperature max	110 °C
---------------------------	--------

Bearing	UC217
Housing	P217

#### MANUFACTURER

[SNR](#)

#### INTERCHANGE

ABC	<a href="#">UCP217</a>
ASAHI	<a href="#">UCP 217</a>
SLB	<a href="#">UCP217</a>
FYH	<a href="#">UCP 217</a>
NTN	<a href="#">UCP 217 D1</a>

#### CALCULATION DATA

Basic dynamic load rating, C	83,200 kN
Basic static load rating, Co	63,800 kN
Operating temperature min	-20 °C