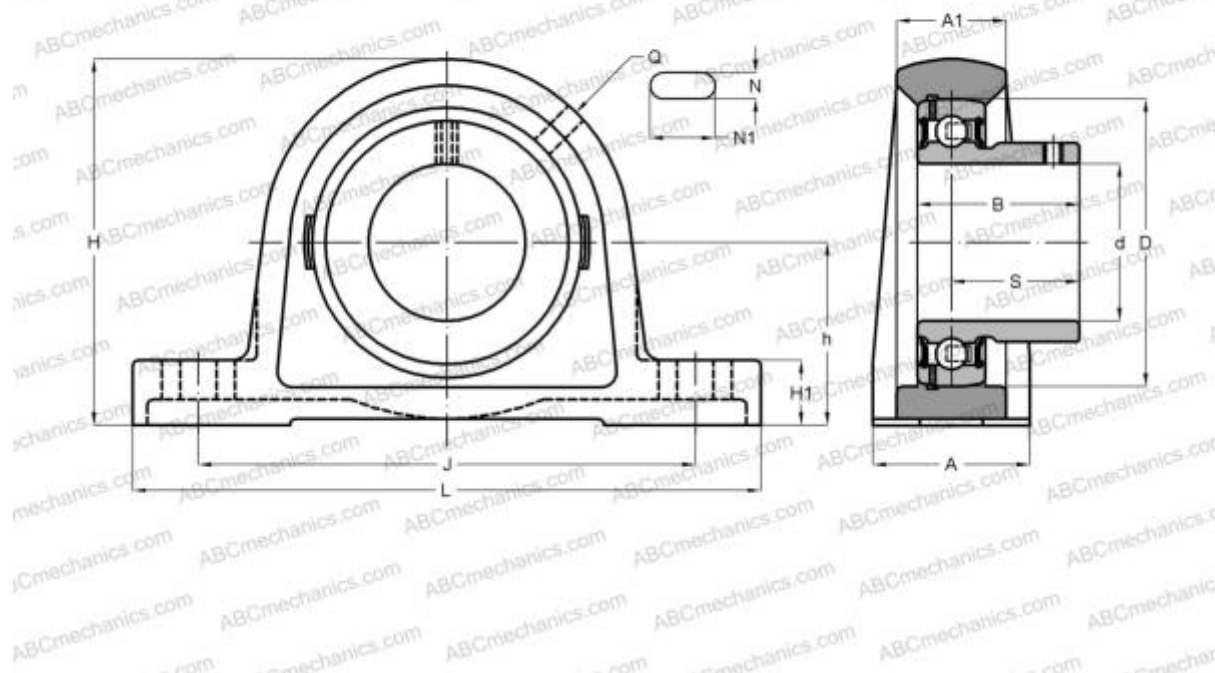


USP201 SNR

Ball bearing units

TYPE: Housing units, Plummer block, Cast iron housing, Radial insert ball bearing with grub screws in inner ring, With inner ring extended at one side, massive bearing units



Technical specification

DIMENSIONS, MM

d	12,000
D	40,000
L	127,000
H	62,000
A	22,000
J	95,000
A1	38,000
H1	15,000
N	13,000
N1	19,000
S	16,000
h	30,200
Q	M6x1

Bearing	US201
Housing	P203

MANUFACTURER

[SNR](#)

INTERCHANGE

ABC	USP201
-----	------------------------

CALCULATION DATA

Basic dynamic load rating, C	9,550 kN
Basic static load rating, Co	4,780 kN
Operating temperature min	-20 °C
Operating temperature max	110 °C

WEIGHT, KG

0,700