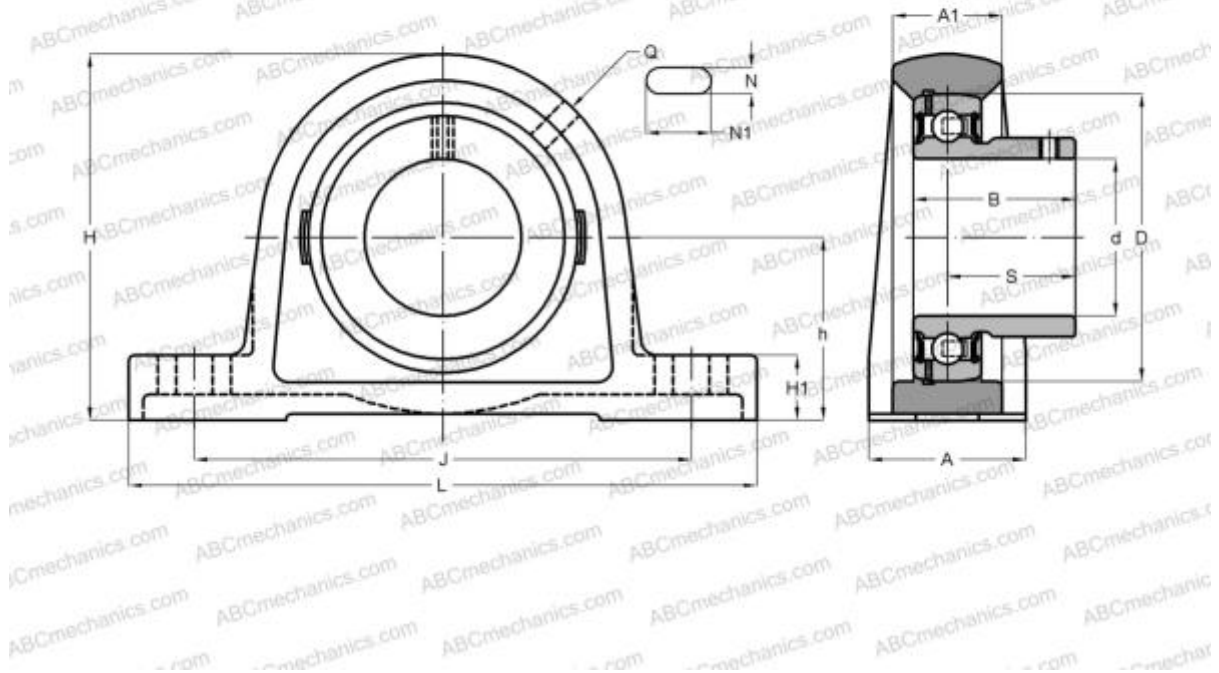


## USP202 SNR

Ball bearing units

TYPE: Housing units, Plummer block, Cast iron housing, Radial insert ball bearing with grub screws in inner ring, With inner ring extended at one side, massive bearing units



### Technical specification

#### DIMENSIONS, MM

d	15,000
D	40,000
L	127,000
H	62,000
A	22,000
J	95,000
A1	38,000
H1	15,000
N	13,000
N1	19,000
S	16,000
h	30,200
Q	M6x1

**WEIGHT, KG** 0,600

Bearing	US202
Housing	P203

#### MANUFACTURER

[SNR](#)

#### INTERCHANGE

ABC [USP202](#)

#### CALCULATION DATA

Basic dynamic load rating, C	9,550 kN
Basic static load rating, Co	4,780 kN
Operating temperature min	-20 °C
Operating temperature max	110 °C