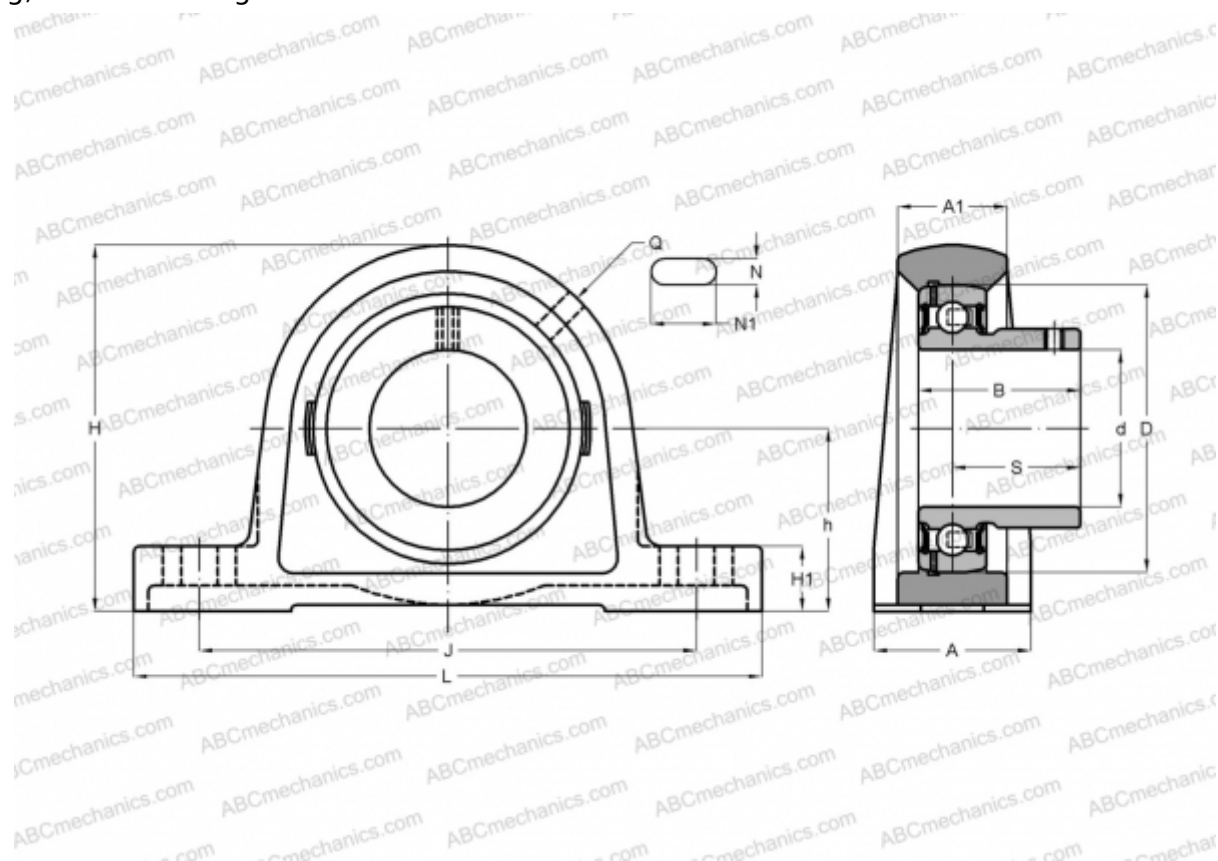


## USPE202 SNR

Ball bearing units

TYPE: Housing units, Plummer block, Cast iron housing, Radial insert ball bearing with grub screws in inner ring, With inner ring extended at one side



### Technical specification

#### DIMENSIONS, MM

d	15,000
D	40,000
B	22,000
L	125,000
H	57,000
A	30,000
J	95,000
A1	18,000
H1	10,000
N	11,000
N1	19,000
S	16,000
h	30,200
Q	M6x1

#### WEIGHT, KG

	0,400
Bearing	US202
Housing	PE203

#### MANUFACTURER

[SNR](#)

#### INTERCHANGE

ABC	<a href="#">PASEY15</a>
INA	<a href="#">PASEY15</a>

#### CALCULATION DATA

Basic dynamic load rating, C	9,550 kN
Basic static load rating, Co	4,780 kN
Operating temperature min	-20 °C
Operating temperature max	110 °C