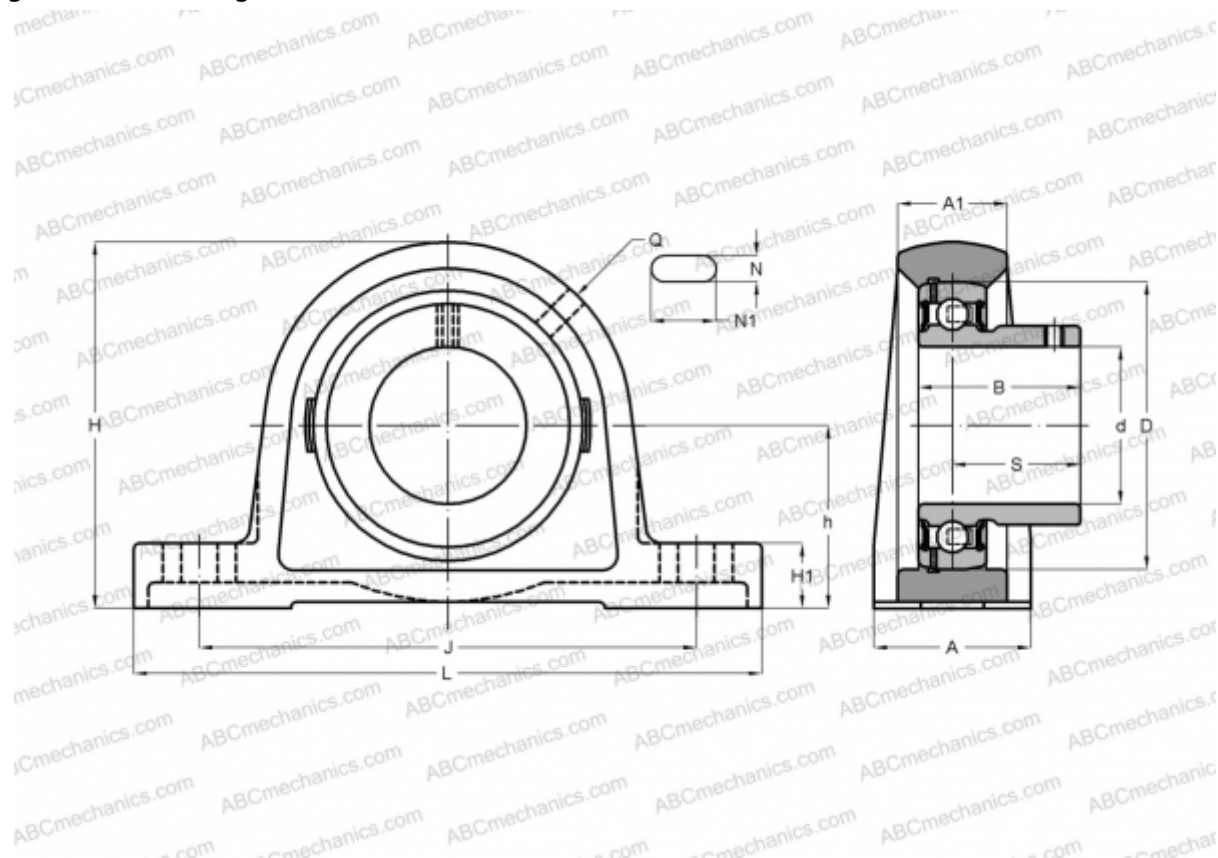


PASEY15 INA

Ball bearing units

TYPE: Housing units, Plummer block, Cast iron housing, Radial insert ball bearing with grub screws in inner ring, With inner ring extended at one side



Technical specification

DIMENSIONS, MM

d	15,000
D	40,000
B	22,000
L	125,000
H	57,000
A	30,000
J	95,000
A1	18,000
H1	10,000
N	11,000
N1	19,000
S	16,000
h	30,200
Q	M6

WEIGHT, KG

0,430

Bearing

GAY15-NPP-B

Housing

GG.ASE03

MANUFACTURER

[INA](#)

INTERCHANGE

ABC

[PASEY15](#)

SNR

[USPE202](#)

CALCULATION DATA

Basic dynamic load rating, C

9,800 kN

Basic static load rating, Co

4,750 kN