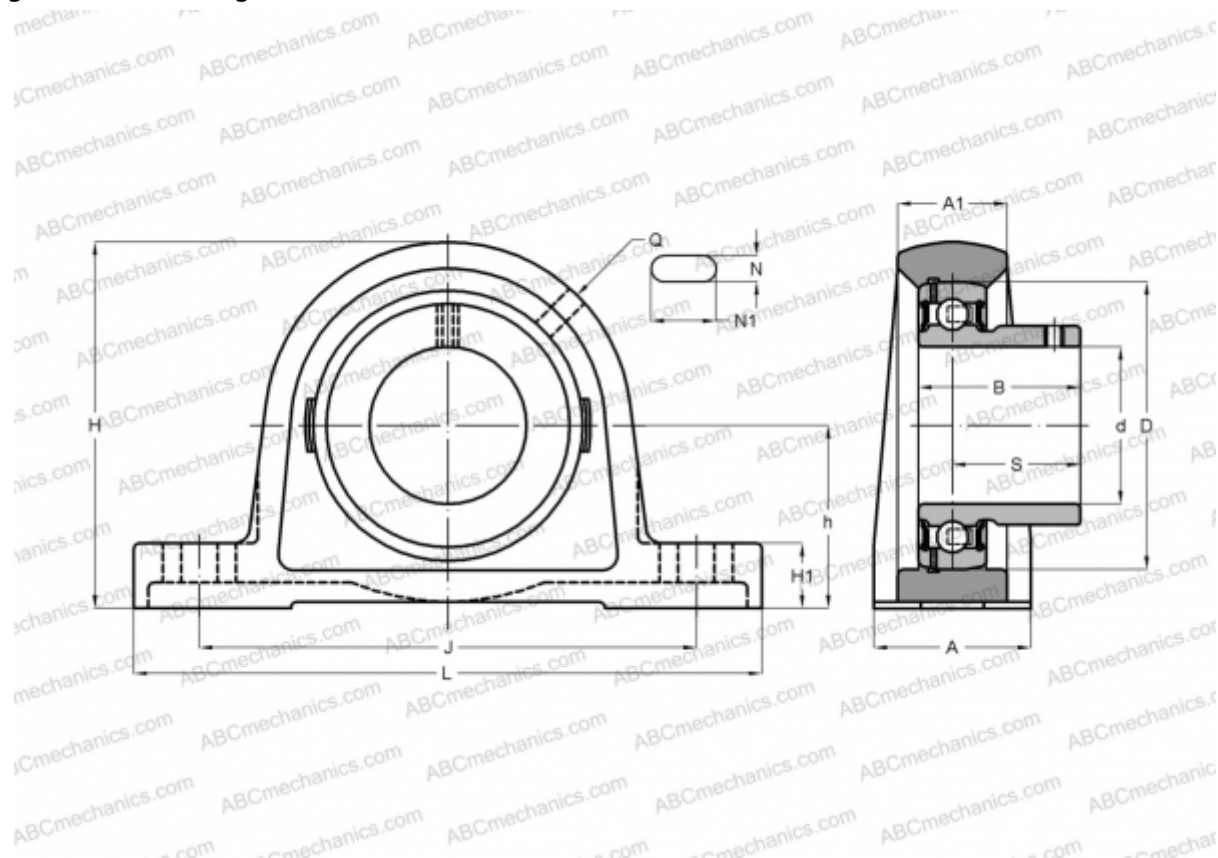


## PASEY20-N INA

Ball bearing units

TYPE: Housing units, Plummer block, Cast iron housing, Radial insert ball bearing with grub screws in inner ring, With inner ring extended at one side



### Technical specification

#### DIMENSIONS, MM

d	20,000
D	47,000
B	25,000
L	130,000
H	64,000
A	32,000
J	97,000
A1	19,000
H1	14,500
N	11,000
N1	19,000
S	18,000
h	33,300
Q	Rp1/8

#### WEIGHT, KG

0,560

Bearing	GAY20-NPP-B
Housing	GG.ASE04-E-N
Protective cover	KASK04

#### MANUFACTURER

[INA](#)

#### INTERCHANGE

ABC	<a href="#">PASEY20-N</a>
SNR	<a href="#">USPE204</a>
SLB	<a href="#">SBP 204</a>

#### CALCULATION DATA

Basic dynamic load rating, C	12,800 kN
Basic static load rating, Co	6,600 kN