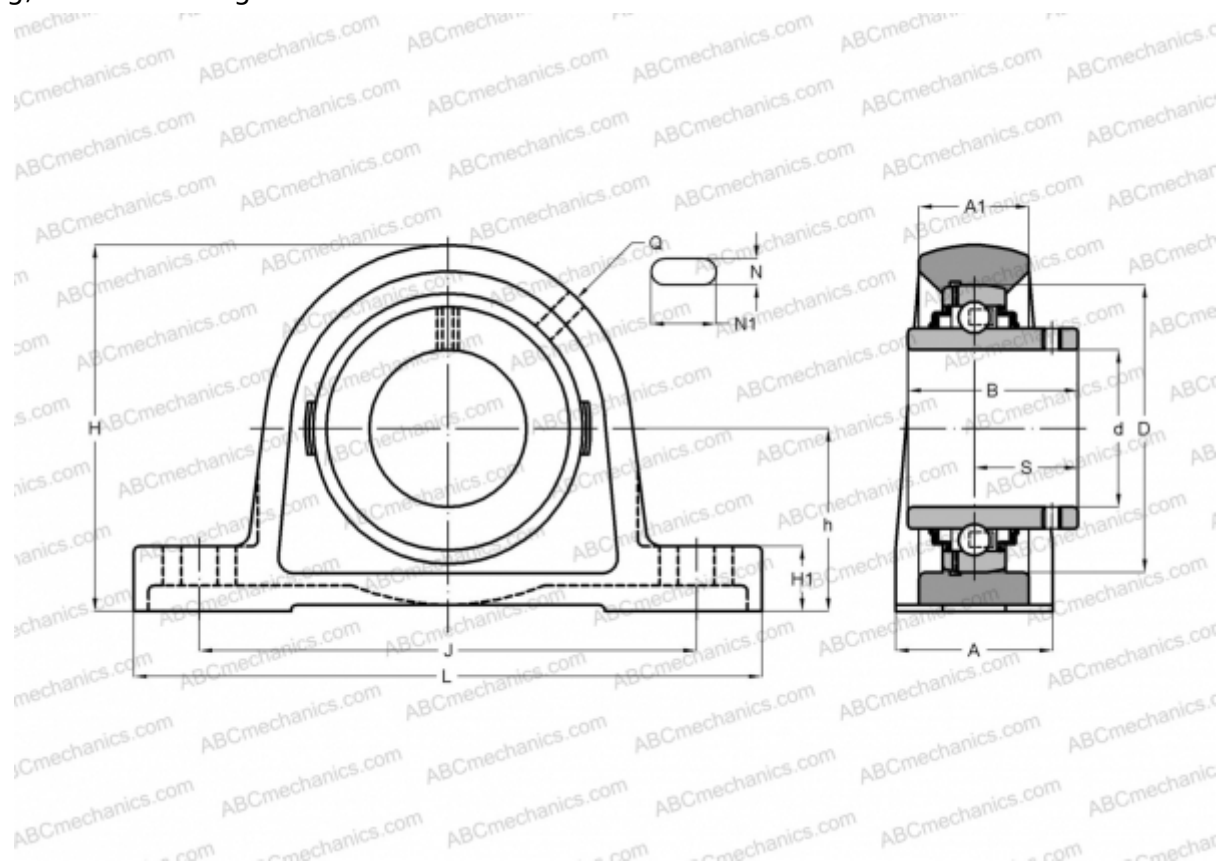




## SY 15 TF SKF

Ball bearing units

TYPE: Housing units, Plummer block, Cast iron housing, Radial insert ball bearing with grub screws in inner ring, With inner ring extended on both sides



### Technical specification

#### DIMENSIONS, MM

d	15,000
D	40,000
B	27,400
L	127,000
H	57,000
A	32,000
J	97,000
A1	18,000
H1	14,000
N	11,500
N1	20,500
S	15,900
h	30,200

Bearing	YAR 203/15-2F
Housing	SY 503 M

#### MANUFACTURER

[SKF](#)

#### INTERCHANGE

ABC	<a href="#">RASEY15</a>
INA	<a href="#">RASEY15</a>

#### CALCULATION DATA

Basic dynamic load rating, C	9,560 kN
Basic static load rating, Co	4,750 kN
Fatigue load limit, Pu	0,200 kN
Limiting speed	9500 r/min

WEIGHT, KG	0,510
------------	-------

