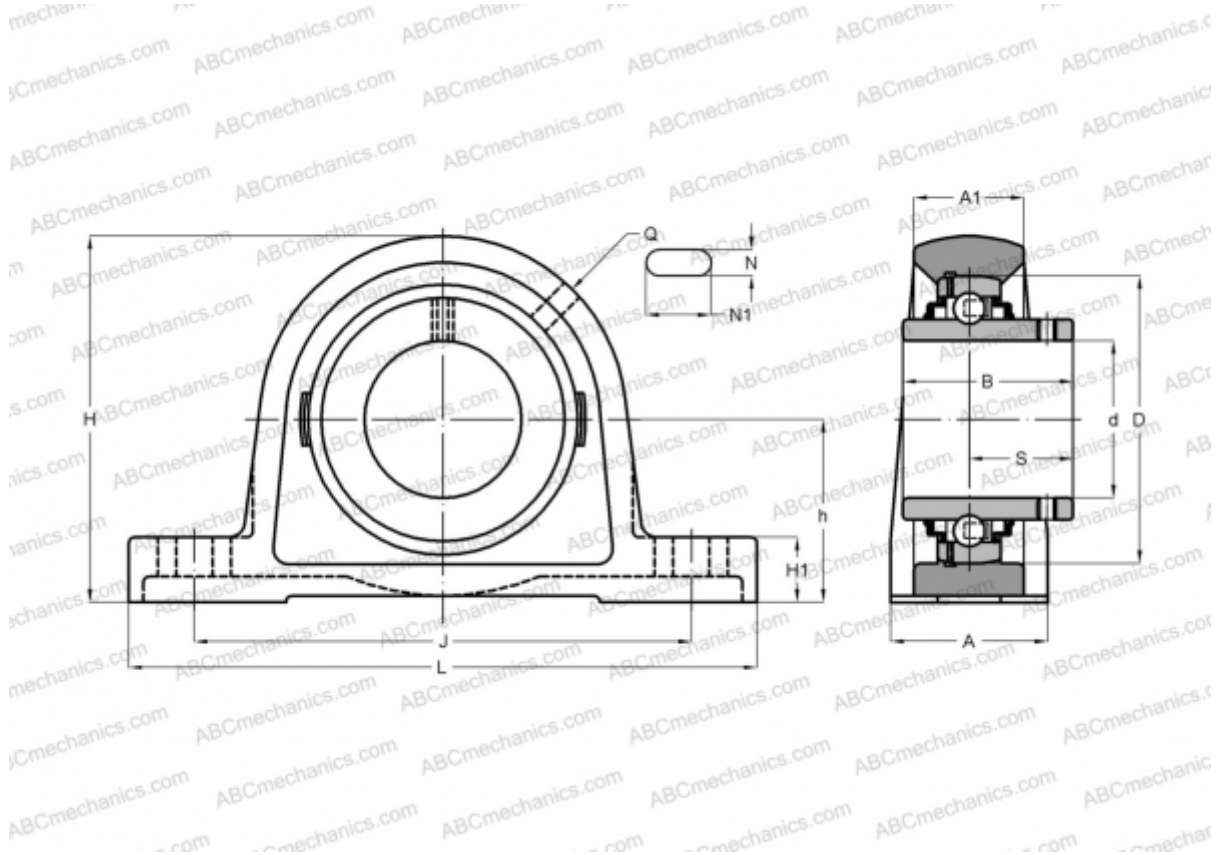


UCPE202 SNR

Ball bearing units

TYPE: Housing units, Plummer block, Cast iron housing, Radial insert ball bearing with grub screws in inner ring, With inner ring extended on both sides



Technical specification

DIMENSIONS, MM

d	15,000
D	47,000
B	31,000
L	130,000
H	64,000
A	32,000
J	97,000
A1	19,000
H1	14,500
N	11,000
N1	19,000
S	18,300
h	33,300
Q	R1/8"

WEIGHT, KG

Bearing	UC202
Housing	PE204

MANUFACTURER

[SNR](#)

INTERCHANGE

ABC	UCPE202
-----	-------------------------

CALCULATION DATA

Basic dynamic load rating, C	12,800 kN
Basic static load rating, Co	6,650 kN
Operating temperature min	-20 °C
Operating temperature max	110 °C