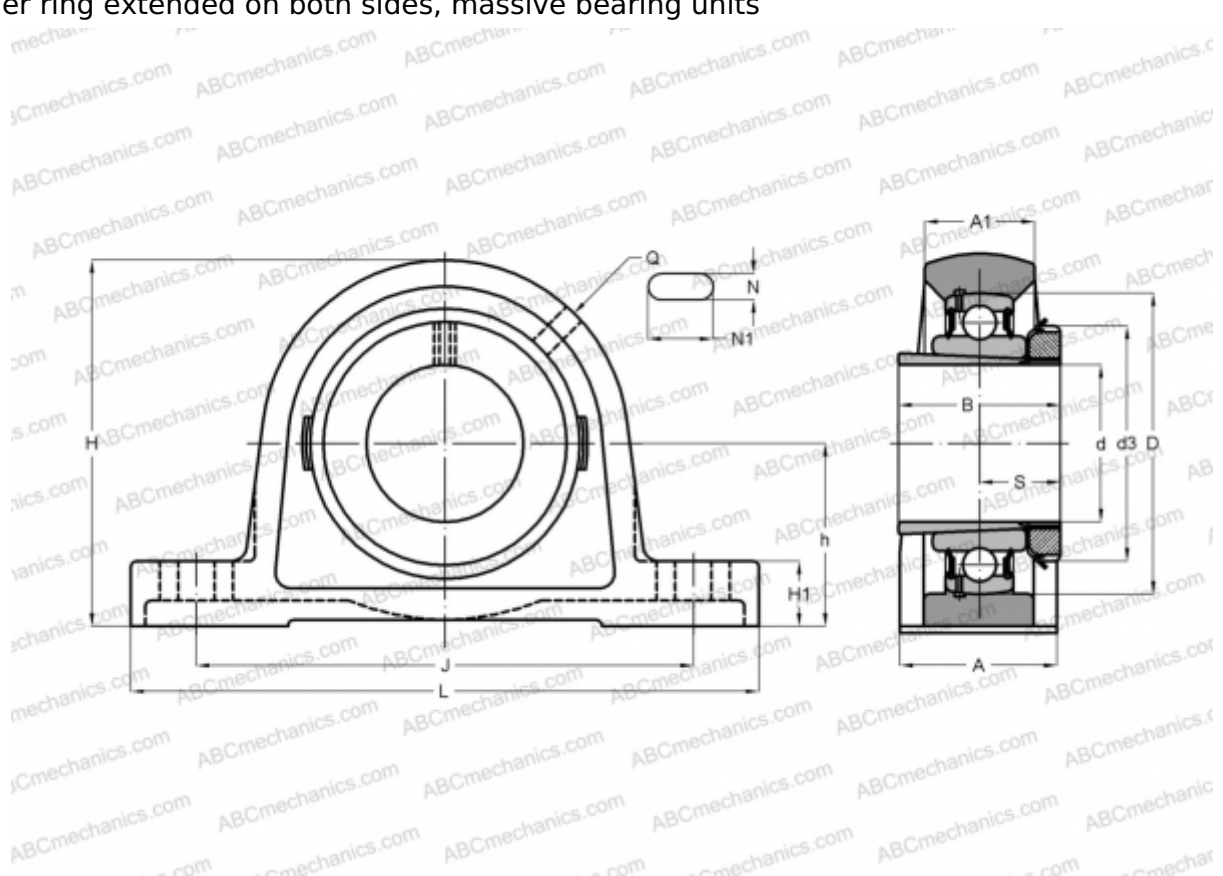


UKP 205 + H2305 ASAHI

Ball bearing units

TYPE: Housing units, Plummer block, Cast iron housing, Radial insert ball bearing with adapter sleeve, With inner ring extended on both sides, massive bearing units



Technical specification

DIMENSIONS, MM

d	20,000
D	52,000
B	35,000
L	140,000
H	70,000
A	38,000
J	105,000
H1	16,000
N	13,000
N1	16,000
d3	38,000
h	36,500

WEIGHT, KG 0,840

Bearing	UK 205
Housing	P 205
Adapter sleeve	H2305

MANUFACTURER [ASAHI](#)

INTERCHANGE

ABC	UKP205
SNR	UKP205H
SLB	UKP 205
FYH	UKP 205
NTN	UKP 205 D1