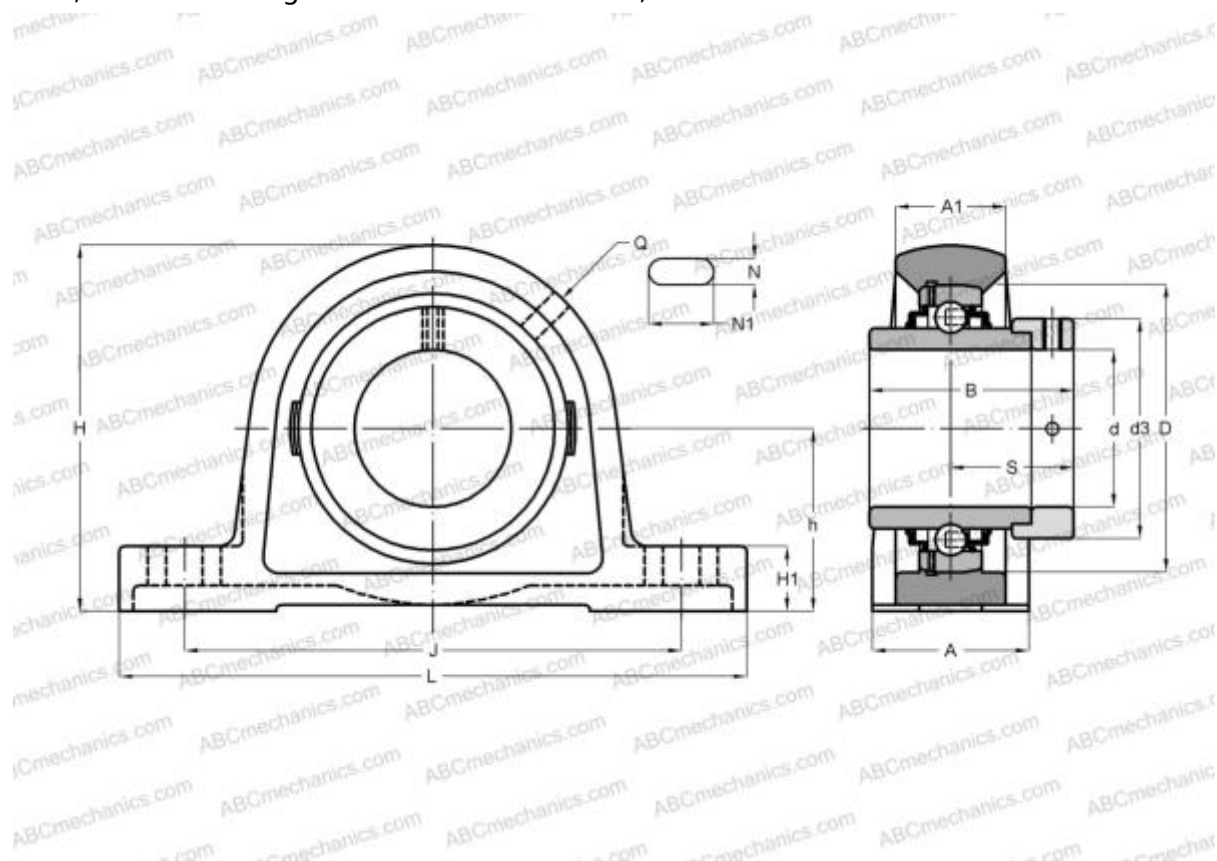


EXPLE203 SNR

Ball bearing units

TYPE: Housing units, Plummer block, Cast iron housing, Radial insert ball bearing with eccentric locking collar, With inner ring extended on both sides, wide base



Technical specification

DIMENSIONS, MM

d	17,000
D	47,000
B	43,500
L	126,500
H	63,700
A	32,000
J	94,500
A1	22,500
H1	12,500
N	11,000
N1	17,000
S	26,500
d3	33,300
h	31,800
Q	M6x1

WEIGHT, KG

	0,600
Bearing	EX203
Housing	PLE204

MANUFACTURER

[SNR](#)

INTERCHANGE

ABC	EXPLE203
-----	--------------------------

CALCULATION DATA

Basic dynamic load rating, C	12,800 kN
Basic static load rating, Co	6,650 kN
Operating temperature min	-20 °C
Operating temperature max	110 °C