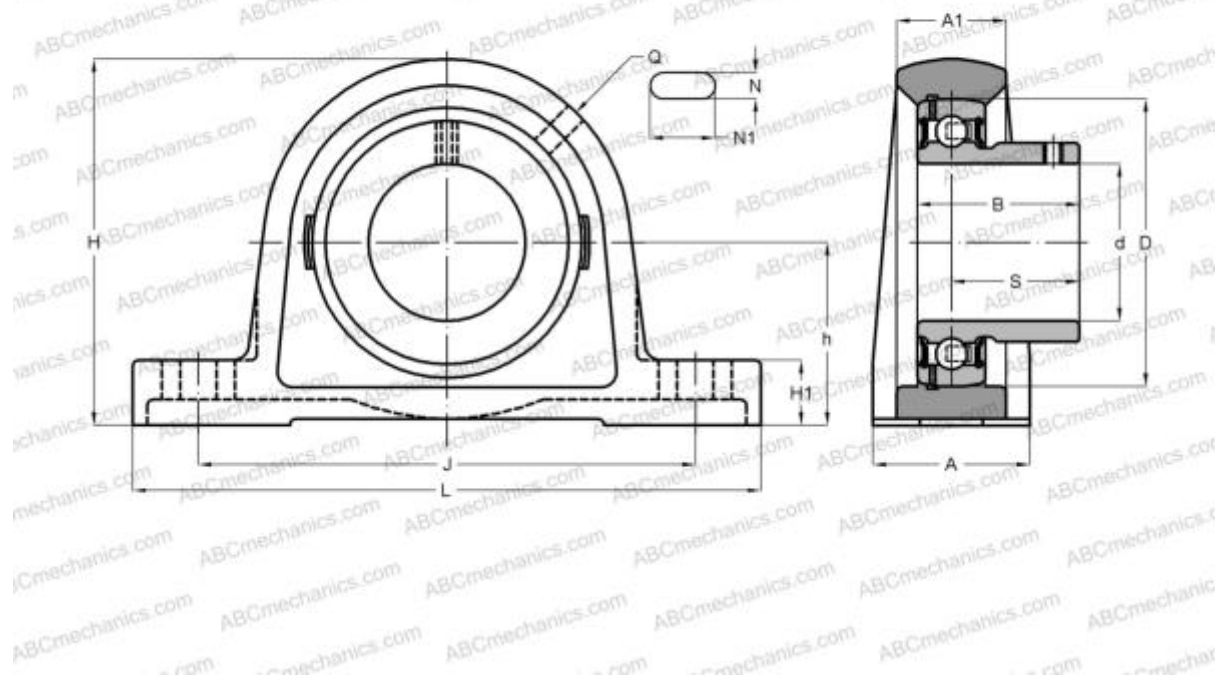


USPLE204 SNR

Подшипниковые узлы

TYPE: Housing units, Plummer block, Cast iron housing, Radial insert ball bearing with grub screws in inner ring, With inner ring extended at one side, wide base



Technical specification

DIMENSIONS, MM

| | |
|----|---------|
| d | 20,000 |
| D | 47,000 |
| B | 25,000 |
| L | 126,500 |
| H | 63,700 |
| A | 32,000 |
| J | 94,500 |
| A1 | 22,500 |
| H1 | 12,500 |
| N | 11,000 |
| N1 | 17,000 |
| S | 18,000 |
| h | 31,800 |
| Q | M6x1 |

WEIGHT, KG

| | |
|---------|--------|
| | 0,500 |
| Bearing | US204 |
| Housing | PLE204 |

MANUFACTURER

[SNR](#)

INTERCHANGE

| | |
|-----|--------------------------|
| ABC | USPLE204 |
|-----|--------------------------|

CALCULATION DATA

| | |
|------------------------------|-----------|
| Basic dynamic load rating, C | 12,800 kN |
| Basic static load rating, Co | 6,650 kN |
| Operating temperature min | -20 °C |
| Operating temperature max | 110 °C |