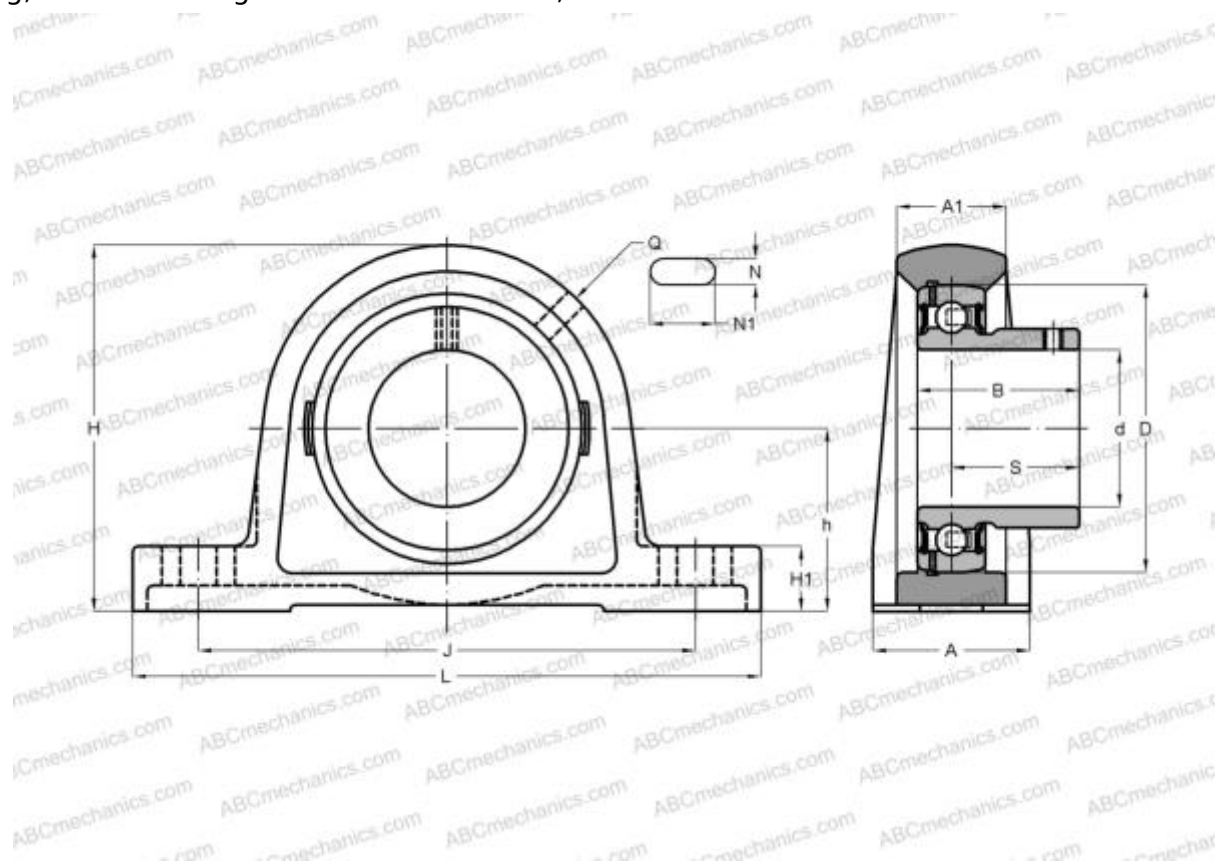


USPLE205 ABC

Подшипниковые узлы

TYPE: Housing units, Plummer block, Cast iron housing, Radial insert ball bearing with grub screws in inner ring, With inner ring extended at one side, wide base



Technical specification

DIMENSIONS, MM

d	25,000
D	52,000
B	27,000
L	139,000
H	67,800
A	36,500
J	104,200
A1	24,500
H1	12,800
N	11,000
N1	17,000
S	19,500
h	33,300
Q	M6x1

WEIGHT, KG

0,700

MANUFACTURER

[ABC](#)

INTERCHANGE

SNR

[USPLE205](#)