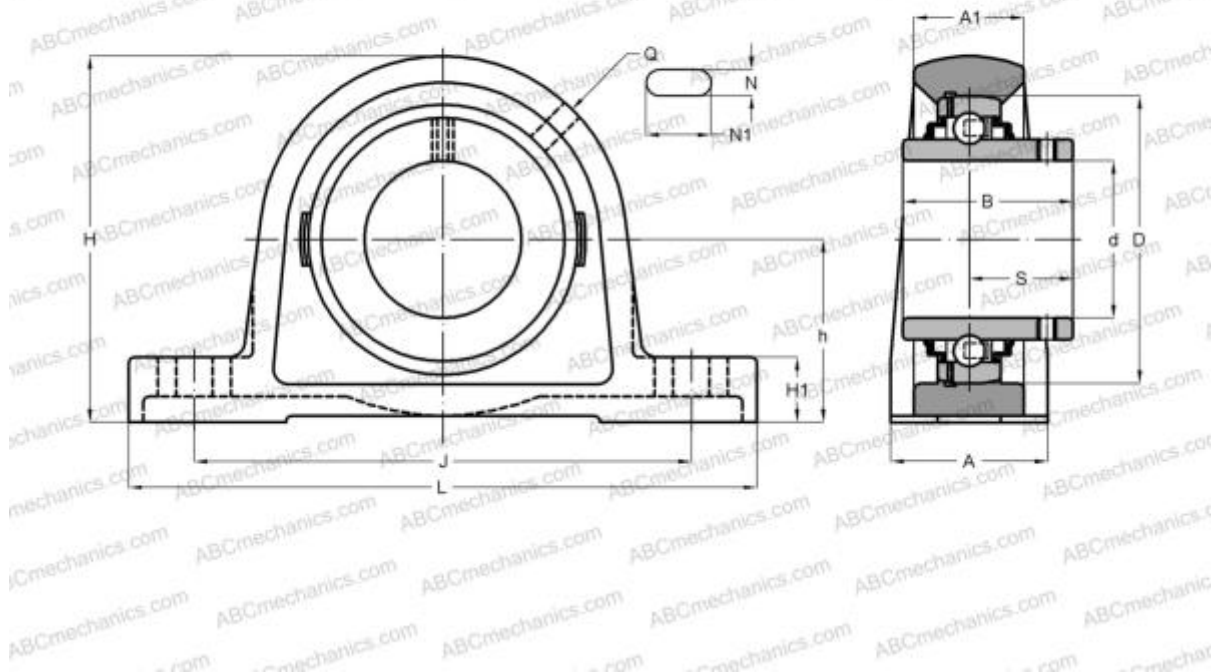


## UCPLE203 ABC

Ball bearing units

TYPE: Housing units, Plummer block, Cast iron housing, Radial insert ball bearing with grub screws in inner ring, With inner ring extended on both sides, wide base



### Technical specification

#### DIMENSIONS, MM

d	17,000
D	47,000
B	31,000
L	126,500
H	63,700
A	32,000
J	94,500
A1	22,500
H1	12,500
N	11,000
N1	17,000
S	18,300
h	31,800
Q	M6x1

#### WEIGHT, KG

0,500

#### MANUFACTURER

[ABC](#)

#### INTERCHANGE

SNR

[UCPLE203](#)