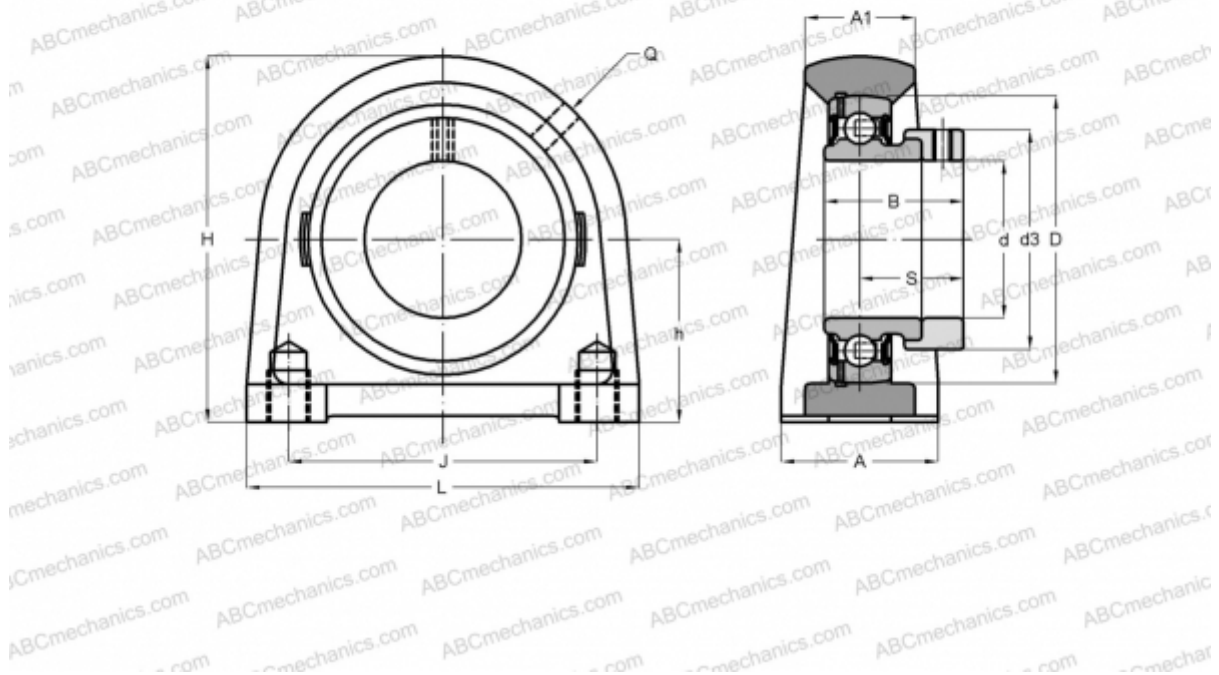


ESPAE202 ABC

Ball bearing units

TYPE: Housing units, Plummer block, Narrow cast iron housing, Radial insert ball bearing with eccentric locking collar, With inner ring extended at one side



Technical specification

DIMENSIONS, MM

d	15,000
D	40,000
B	28,600
L	63,000
H	57,000
A	30,000
J	47,000
A1	18,000
H1	9,000
S	22,100
d3	28,600
h	30,200
Q	M6x1

Bearing	ES202
Housing	PAE203

MANUFACTURER

[ABC](#)

INTERCHANGE

INA	PSHE15
SNR	ESPAE202

WEIGHT, KG

0,400