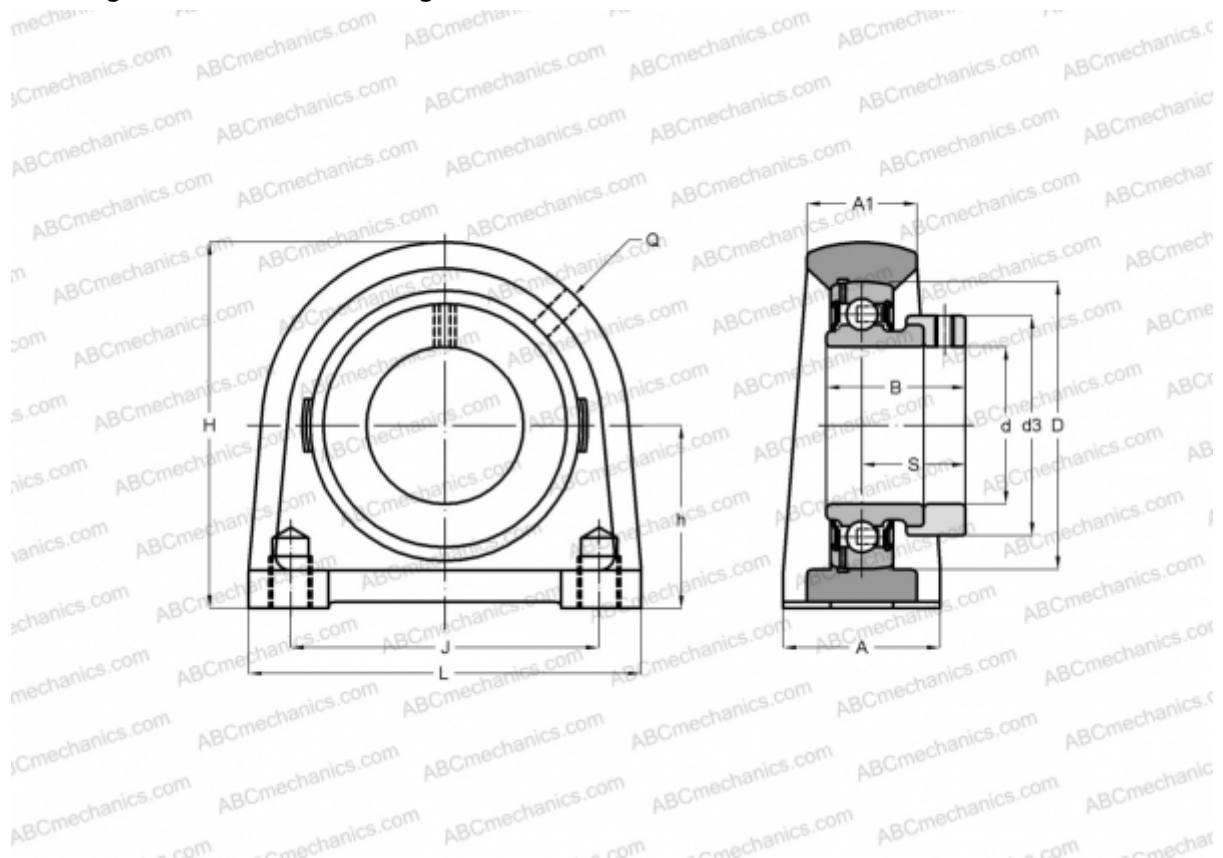


ESPAE202 SNR

Ball bearing units

TYPE: Housing units, Plummer block, Narrow cast iron housing, Radial insert ball bearing with eccentric locking collar, With inner ring extended at one side



Technical specification

DIMENSIONS, MM

| | |
|----|--------|
| d | 15,000 |
| D | 40,000 |
| B | 28,600 |
| L | 63,000 |
| H | 57,000 |
| A | 30,000 |
| J | 47,000 |
| A1 | 18,000 |
| H1 | 9,000 |
| S | 22,100 |
| d3 | 28,600 |
| h | 30,200 |
| Q | M6x1 |

| | |
|---------|--------|
| Bearing | ES202 |
| Housing | PAE203 |

MANUFACTURER

[SNR](#)

INTERCHANGE

| | |
|-----|--------------------------|
| ABC | ESPAE202 |
| INA | PSHE15 |

CALCULATION DATA

| | |
|------------------------------|----------|
| Basic dynamic load rating, C | 9,550 kN |
| Basic static load rating, Co | 4,780 kN |
| Operating temperature min | -20 °C |
| Operating temperature max | 110 °C |

WEIGHT, KG

0,400