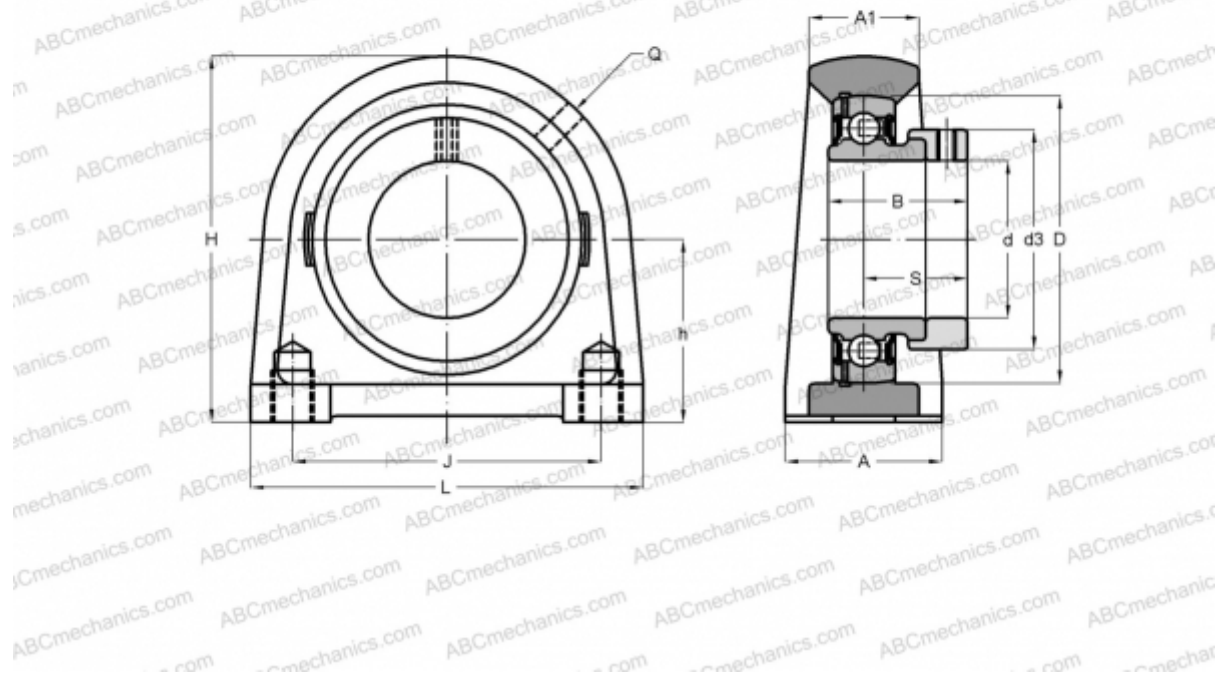


## SYF 20 FM SKF

Ball bearing units

TYPE: Housing units, Plummer block, Narrow cast iron housing, Radial insert ball bearing with eccentric locking collar, With inner ring extended at one side



### Technical specification

#### DIMENSIONS, MM

d	20,000
D	47,000
B	31,000
L	65,000
H	65,000
A	32,000
J	50,800
A1	21,000
S	23,500
h	33,300

#### WEIGHT, KG

0,430

Bearing	YET 204
Housing	SYF 504

#### MANUFACTURER

[SKF](#)

#### INTERCHANGE

ABC	<a href="#">ESPAE204</a>
INA	<a href="#">PSHE20-N</a>
SNR	<a href="#">ESPAE204</a>

#### CALCULATION DATA

Basic dynamic load rating, C	12,700 kN
Basic static load rating, Co	6,550 kN
Fatigue load limit, Pu	0,280 kN
Limiting speed	8500 r/min