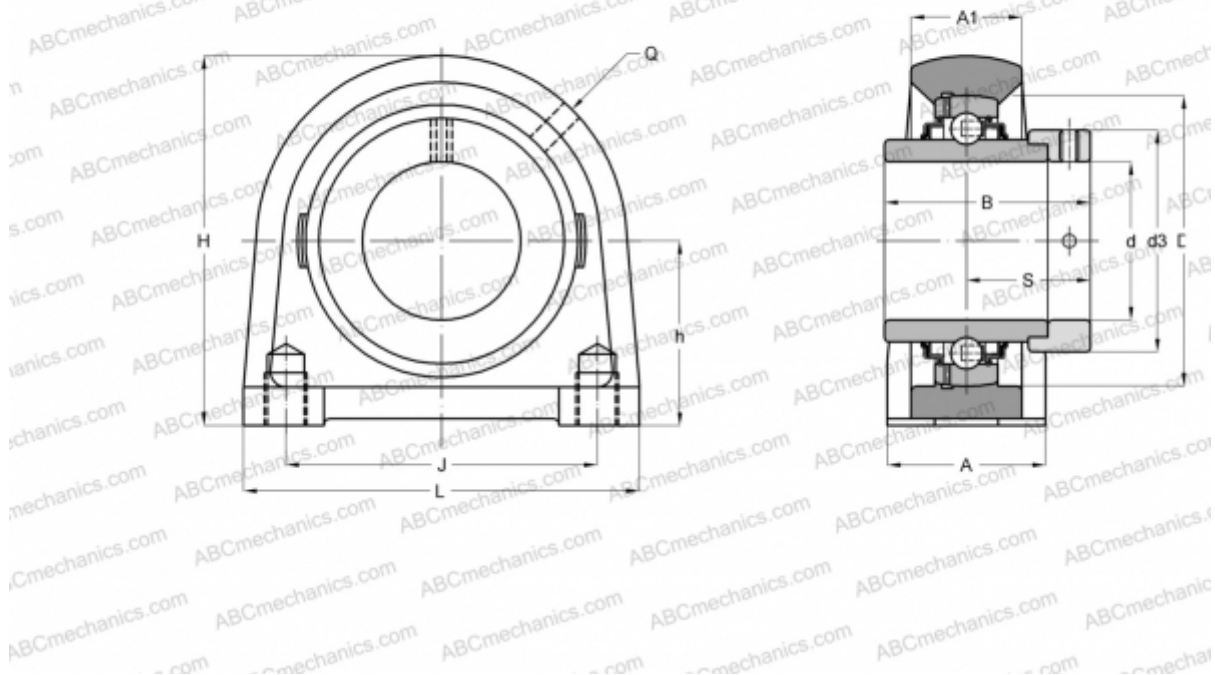


## EXP AE202 ABC

Ball bearing units

TYPE: Housing units, Plummer block, Narrow cast iron housing, Radial insert ball bearing with eccentric locking collar, With inner ring extended on both sides



### Technical specification

#### DIMENSIONS, MM

d	15,000
D	47,000
B	43,500
L	65,000
H	64,000
A	32,000
J	50,800
A1	19,000
H1	9,000
S	26,500
d3	33,300
h	33,300
Q	R1/8"

Bearing	EX202
Housing	PAE204

**MANUFACTURER** [ABC](#)

<b>INTERCHANGE</b>	
SNR	<a href="#">EXP AE202</a>

**WEIGHT, KG** 0,600