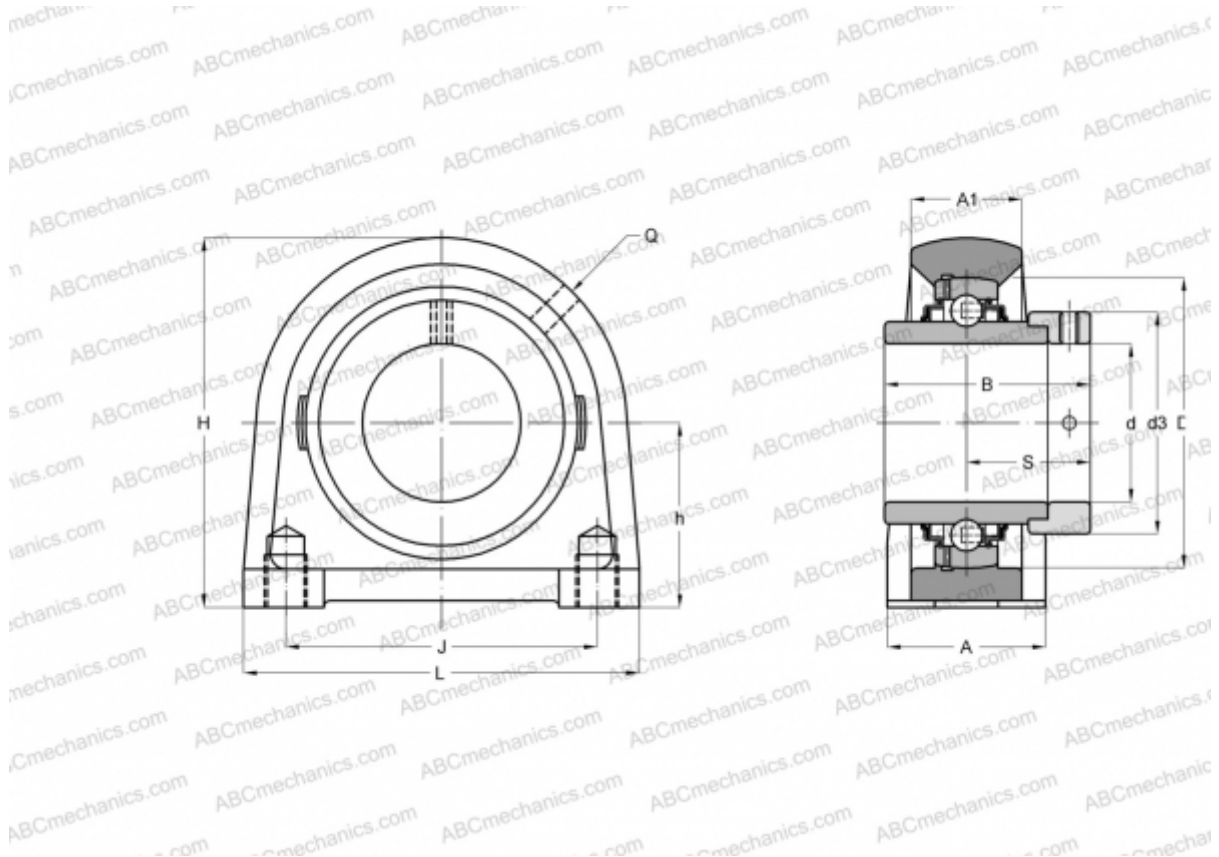


## EXPAE202 SNR

Ball bearing units

TYPE: Housing units, Plummer block, Narrow cast iron housing, Radial insert ball bearing with eccentric locking collar, With inner ring extended on both sides



### Technical specification

#### DIMENSIONS, MM

|    |        |
|----|--------|
| d  | 15,000 |
| D  | 47,000 |
| B  | 43,500 |
| L  | 65,000 |
| H  | 64,000 |
| A  | 32,000 |
| J  | 50,800 |
| A1 | 19,000 |
| H1 | 9,000  |
| S  | 26,500 |
| d3 | 33,300 |
| h  | 33,300 |
| Q  | R1/8"  |

|         |        |
|---------|--------|
| Bearing | EX202  |
| Housing | PAE204 |

#### MANUFACTURER

[SNR](#)

#### INTERCHANGE

|     |                          |
|-----|--------------------------|
| ABC | <a href="#">EXPAE202</a> |
|-----|--------------------------|

#### CALCULATION DATA

|                              |           |
|------------------------------|-----------|
| Basic dynamic load rating, C | 12,800 kN |
| Basic static load rating, Co | 6,650 kN  |
| Operating temperature min    | -20 °C    |
| Operating temperature max    | 110 °C    |

|                   |       |
|-------------------|-------|
| <b>WEIGHT, KG</b> | 0,600 |
|-------------------|-------|