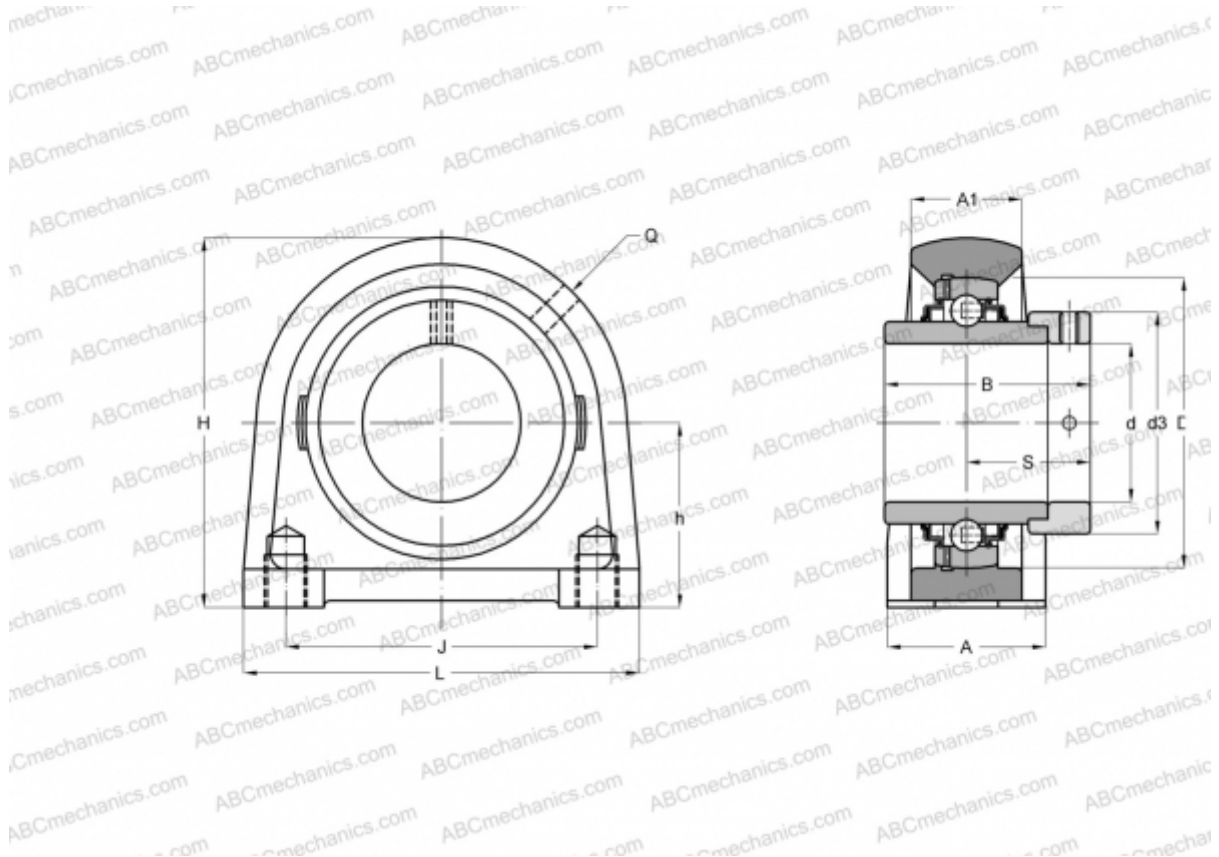


## RSHE20-N INA

Ball bearing units

TYPE: Housing units, Plummer block, Narrow cast iron housing, Radial insert ball bearing with eccentric locking collar, With inner ring extended on both sides



### Technical specification

#### DIMENSIONS, MM

d	20,000
D	47,000
B	43,700
L	65,000
H	64,000
A	32,000
J	50,800
A1	19,000
S	26,600
d3	33,000
h	33,300
Q	Rp1/8

**WEIGHT, KG** 0,490

Bearing	GE20-KRR-B
Housing	GG.SHE04-N
Protective cover	KASK04

#### MANUFACTURER

[INA](#)

#### INTERCHANGE

ABC	<a href="#">EXPAE204</a>
SNR	<a href="#">EXPAE204</a>

#### CALCULATION DATA

Basic dynamic load rating, C	12,800 kN
Basic static load rating, Co	6,600 kN