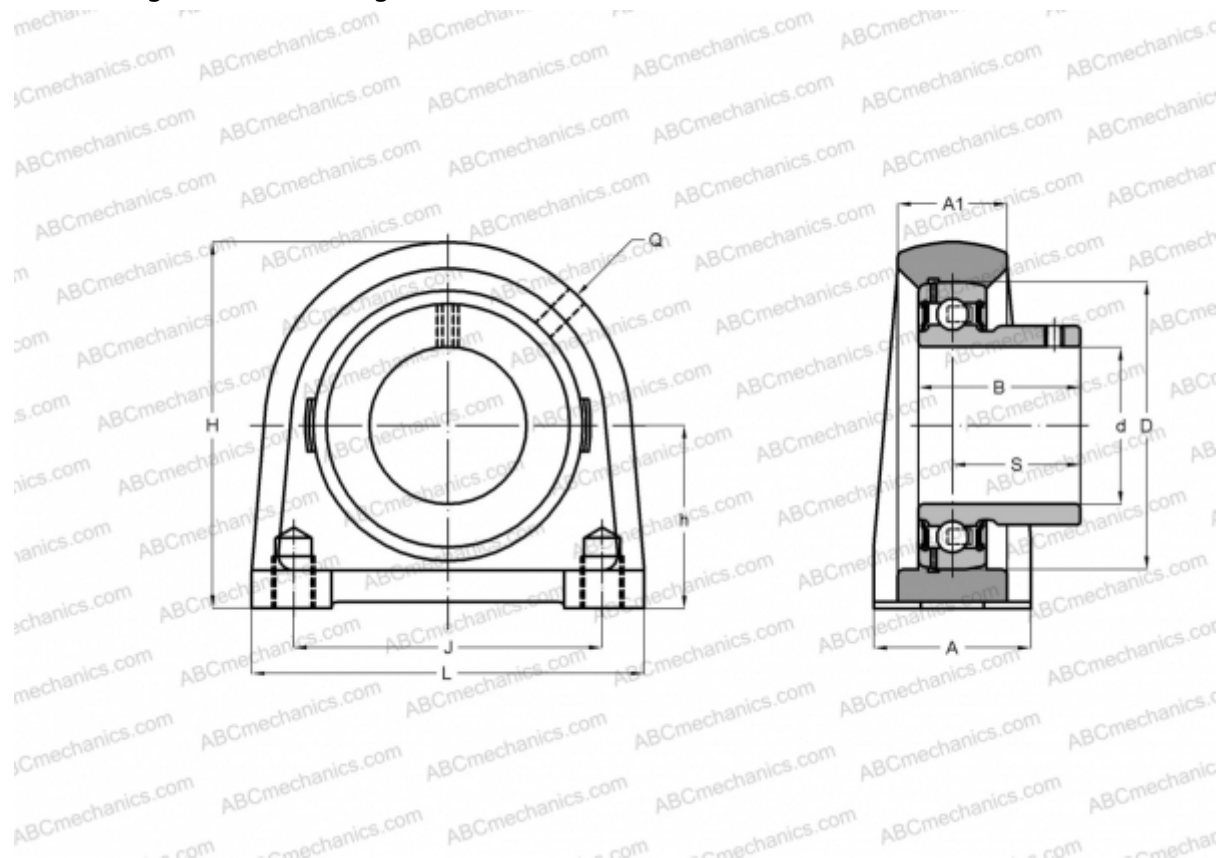


USPAE201 ABC

Ball bearing units

TYPE: Housing units, Plummer block, Narrow cast iron housing, Radial insert ball bearing with grub screws in inner ring, With inner ring extended at one side



Technical specification

DIMENSIONS, MM

d	12,000
D	40,000
B	22,000
L	63,000
H	57,000
A	30,000
J	47,000
A1	18,000
H1	9,000
S	16,000
h	30,200
Q	M6x1

WEIGHT, KG

0,300

Bearing	US201
Housing	PAE203

MANUFACTURER

[ABC](#)

INTERCHANGE

INA	PSHEY12
SNR	USPAE201