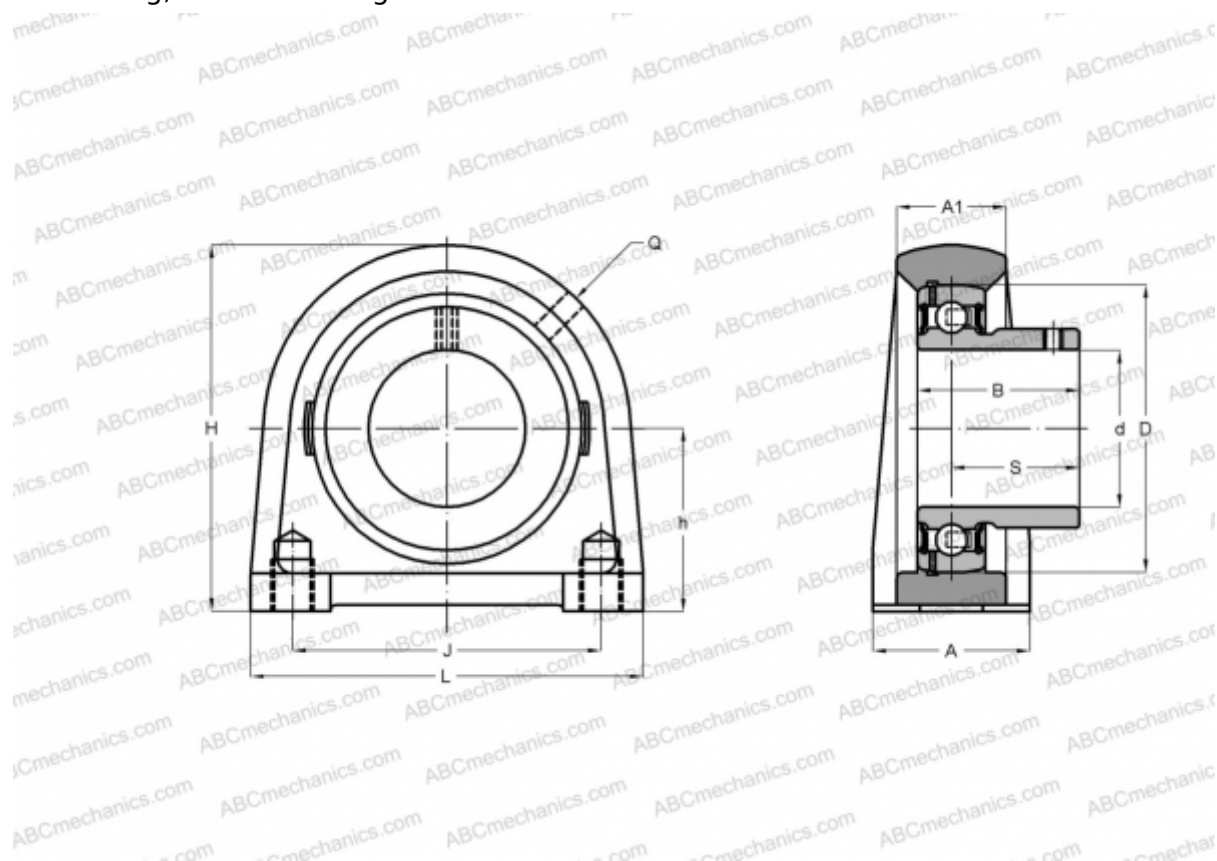


## USPAE202 ABC

Ball bearing units

TYPE: Housing units, Plummer block, Narrow cast iron housing, Radial insert ball bearing with grub screws in inner ring, With inner ring extended at one side



### Technical specification

#### DIMENSIONS, MM

d	15,000
D	40,000
B	22,000
L	63,000
H	57,000
A	30,000
J	47,000
A1	18,000
H1	9,000
S	16,000
h	30,200
Q	M6x1

**WEIGHT, KG** 0,300

Bearing	US202
Housing	PAE203

#### MANUFACTURER

[ABC](#)

#### INTERCHANGE

INA	<a href="#">PSHEY15</a>
SNR	<a href="#">USPAE202</a>