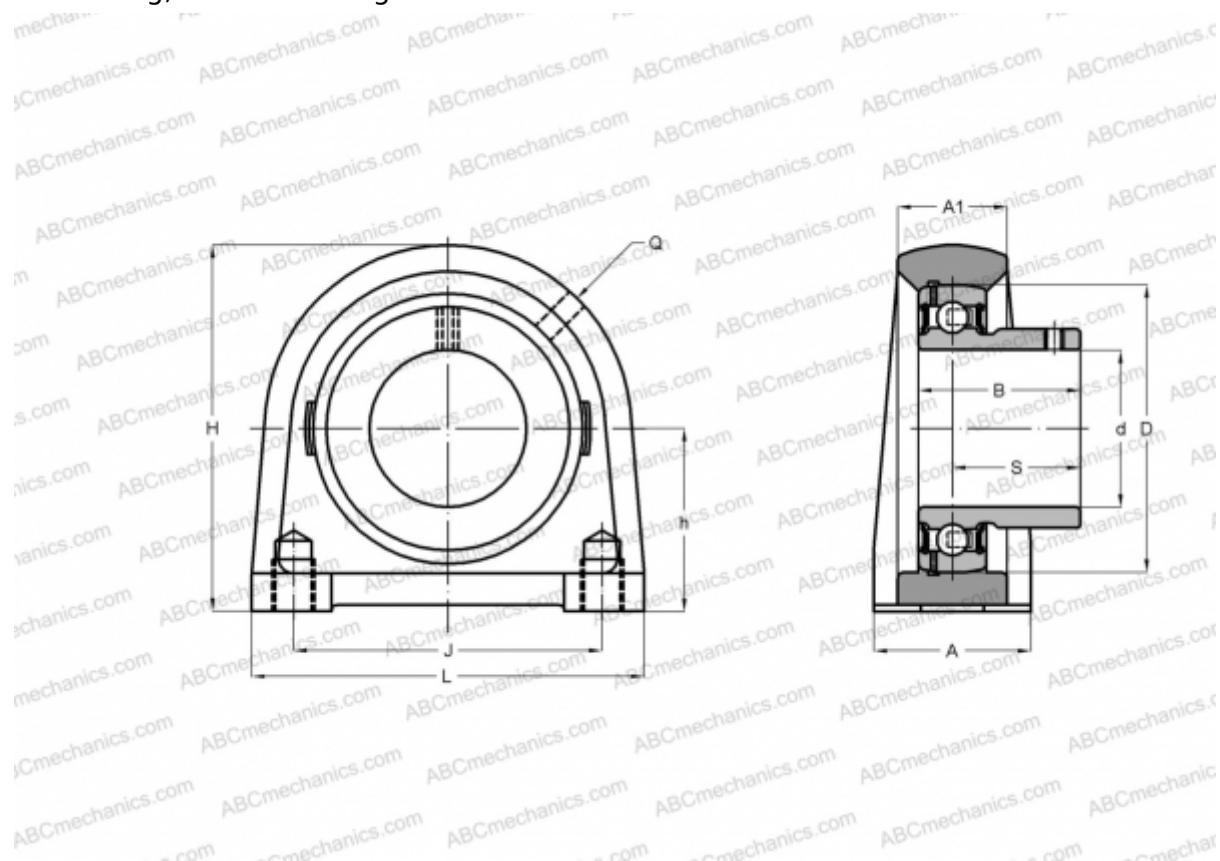


## PSHEY20-N INA

Ball bearing units

TYPE: Housing units, Plummer block, Narrow cast iron housing, Radial insert ball bearing with grub screws in inner ring, With inner ring extended at one side



### Technical specification

#### DIMENSIONS, MM

d	20,000
D	47,000
B	25,000
L	65,000
H	64,000
A	32,000
J	50,800
A1	19,000
S	18,000
h	33,300
Q	Rp1/8

**WEIGHT, KG** 0,420

Bearing GAY20-NPP-B

Housing GG.SHE04-N  
Protective cover KASK04

**MANUFACTURER** [INA](#)

#### INTERCHANGE

ABC [USPAE204](#)  
SNR [USPAE204](#)

#### CALCULATION DATA

Basic dynamic load rating, C 12,800 kN  
Basic static load rating, Co 6,600 kN