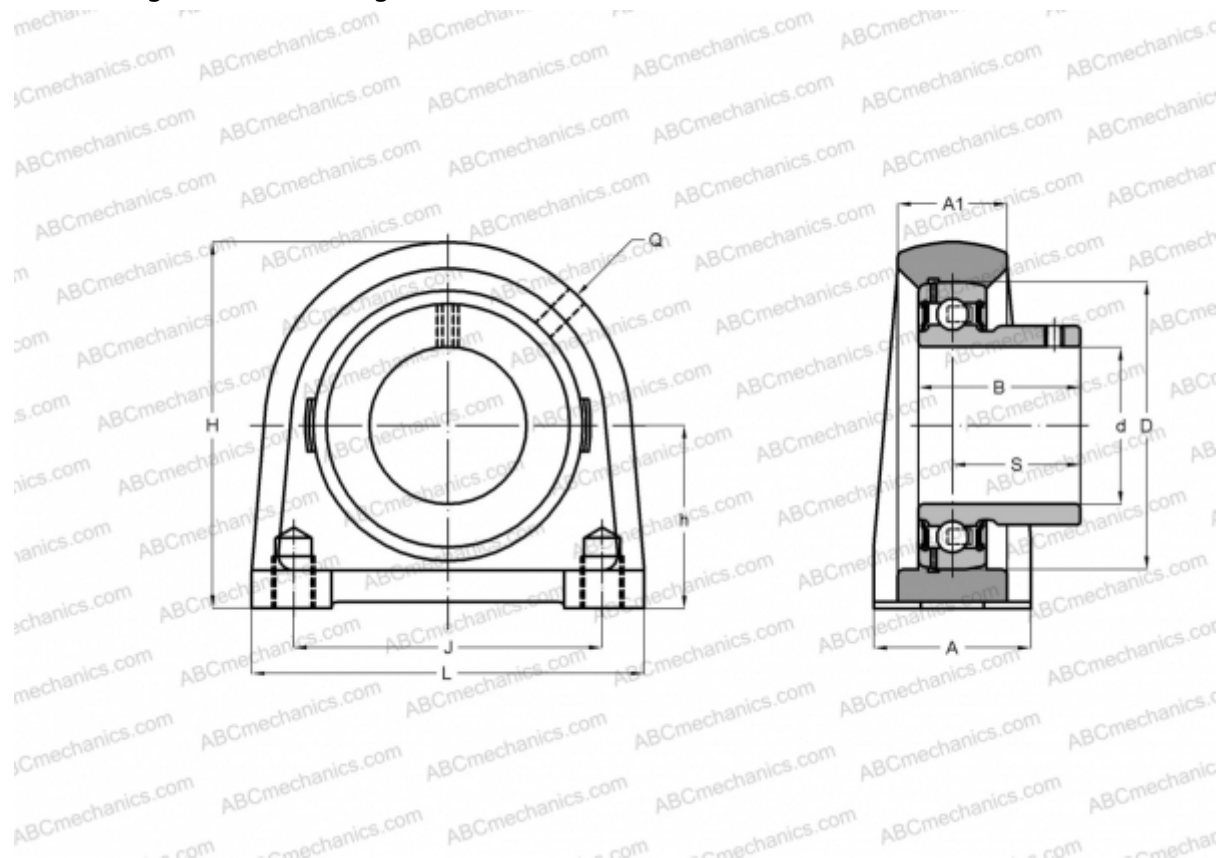


USPAE204 SNR

Ball bearing units

TYPE: Housing units, Plummer block, Narrow cast iron housing, Radial insert ball bearing with grub screws in inner ring, With inner ring extended at one side



Technical specification

DIMENSIONS, MM

d	20,000
D	47,000
B	25,000
L	65,000
H	64,000
A	32,000
J	50,800
A1	19,000
H1	9,000
S	18,000
h	33,300
Q	R1/8"

WEIGHT, KG 0,400

Bearing	US204
Housing	PAE204

MANUFACTURER

[SNR](#)

INTERCHANGE

ABC	USPAE204
INA	PSHEY20-N

CALCULATION DATA

Basic dynamic load rating, C	12,800 kN
Basic static load rating, Co	6,650 kN
Operating temperature min	-20 °C
Operating temperature max	110 °C