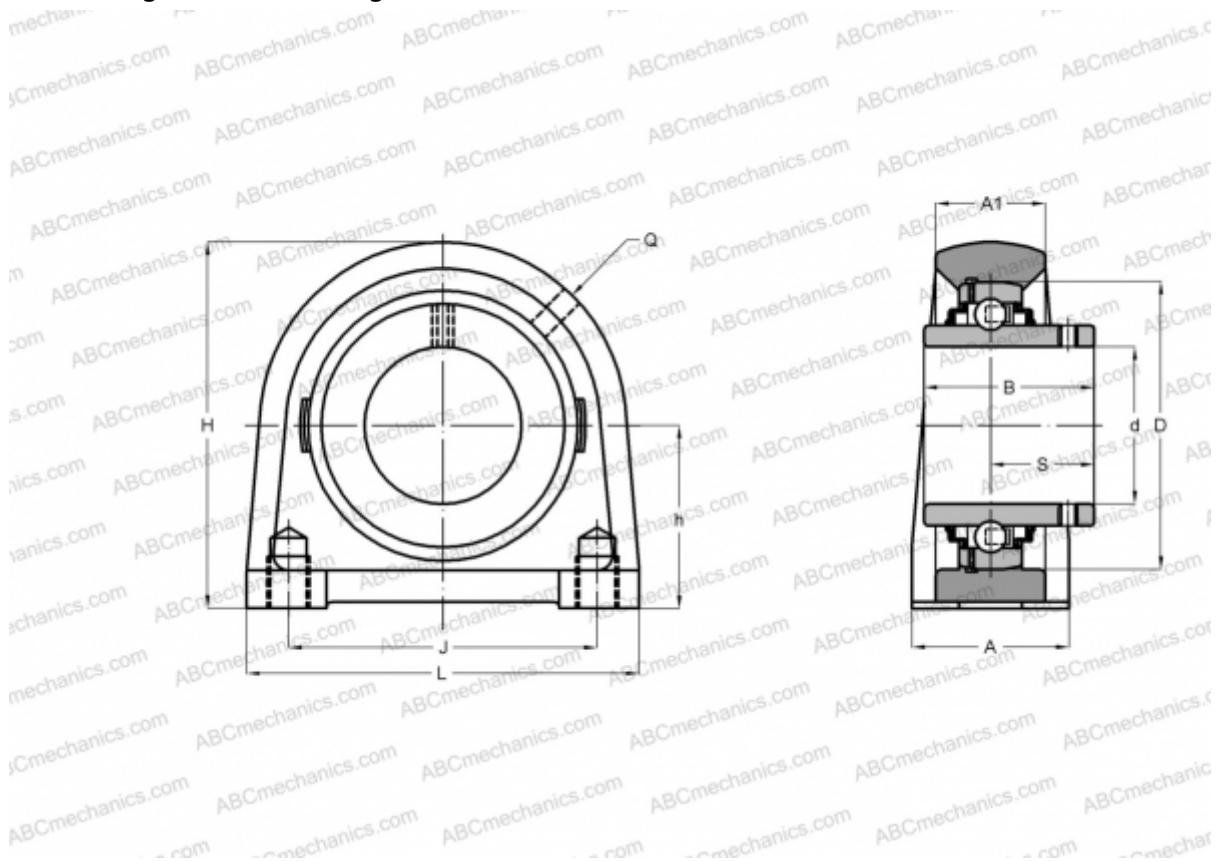


UCPAE201 ABC

Ball bearing units

TYPE: Housing units, Plummer block, Narrow cast iron housing, Radial insert ball bearing with grub screws in inner ring, With inner ring extended on both sides



Technical specification

DIMENSIONS, MM

| | |
|----|--------|
| d | 12,000 |
| D | 47,000 |
| B | 31,000 |
| L | 65,000 |
| H | 64,000 |
| A | 32,000 |
| J | 50,800 |
| A1 | 19,000 |
| H1 | 9,000 |
| S | 18,300 |
| h | 33,300 |
| Q | R1/8" |

WEIGHT, KG

0,500

| | |
|---------|--------|
| Bearing | UC201 |
| Housing | PAE204 |

MANUFACTURER

[ABC](#)

INTERCHANGE

| | |
|-----|--------------------------|
| SNR | UCPAE201 |
|-----|--------------------------|