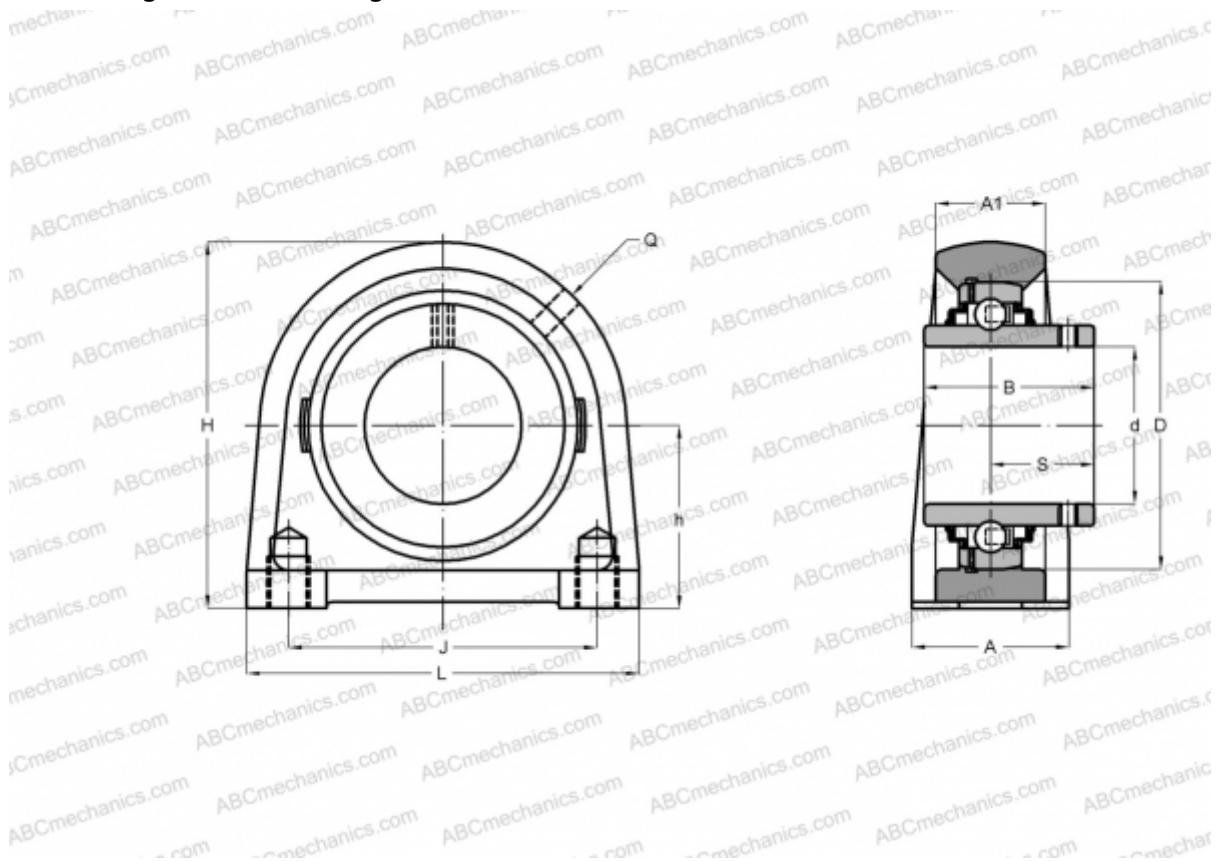


UCPAE202 ABC

Ball bearing units

TYPE: Housing units, Plummer block, Narrow cast iron housing, Radial insert ball bearing with grub screws in inner ring, With inner ring extended on both sides



Technical specification

DIMENSIONS, MM

d	15,000
D	47,000
B	31,000
L	65,000
H	64,000
A	32,000
J	50,800
A1	19,000
H1	9,000
S	18,300
h	33,300
Q	R1/8"

WEIGHT, KG 0,500

Bearing	UC202
Housing	PAE204

MANUFACTURER

[ABC](#)

INTERCHANGE

SNR	UCPAE202
-----	--------------------------