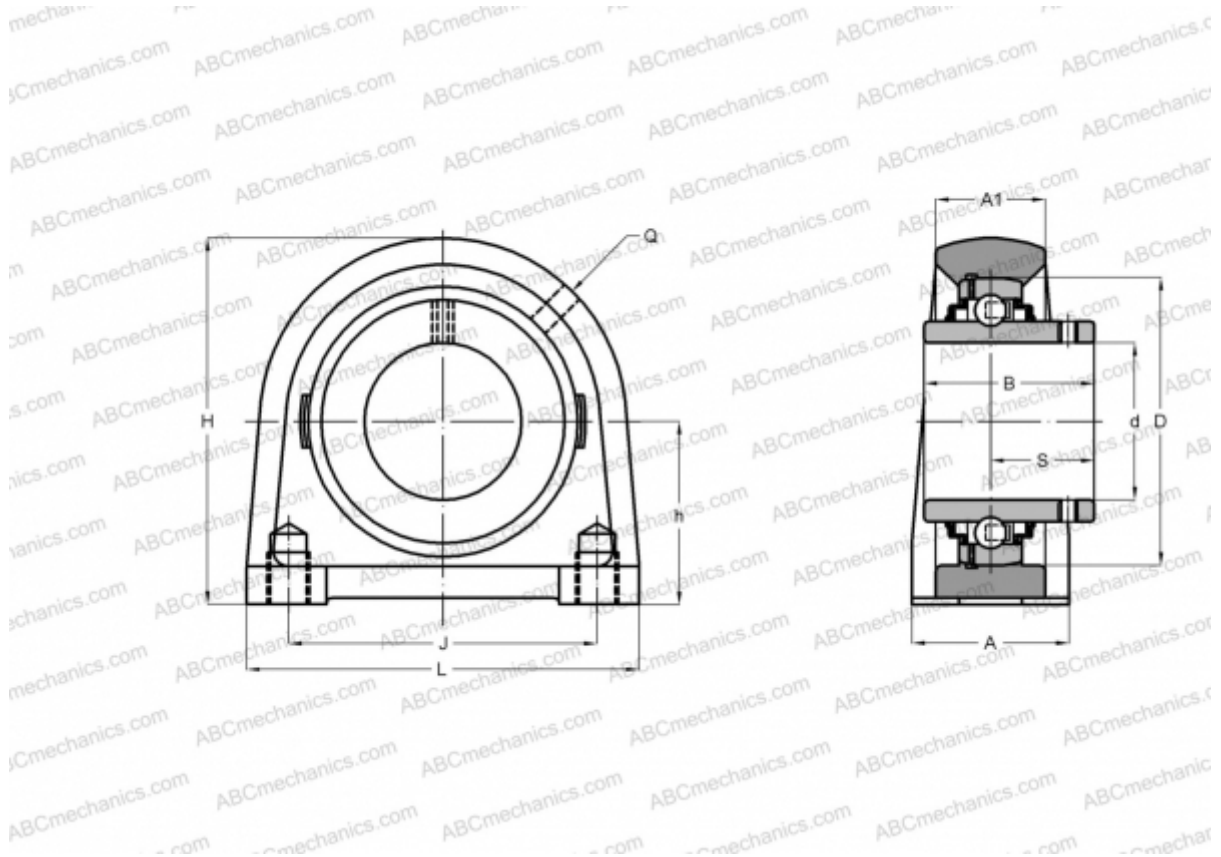


## UCPAE202 SNR

Ball bearing units

TYPE: Housing units, Plummer block, Narrow cast iron housing, Radial insert ball bearing with grub screws in inner ring, With inner ring extended on both sides



### Technical specification

#### DIMENSIONS, MM

d	15,000
D	47,000
B	31,000
L	65,000
H	64,000
A	32,000
J	50,800
A1	19,000
H1	9,000
S	18,300
h	33,300
Q	R1/8"

**WEIGHT, KG** 0,500

Bearing	UC202
Housing	PAE204

#### MANUFACTURER

[SNR](#)

#### INTERCHANGE

ABC [UCPAE202](#)

#### CALCULATION DATA

Basic dynamic load rating, C	12,800 kN
Basic static load rating, Co	6,650 kN
Operating temperature min	-20 °C
Operating temperature max	110 °C