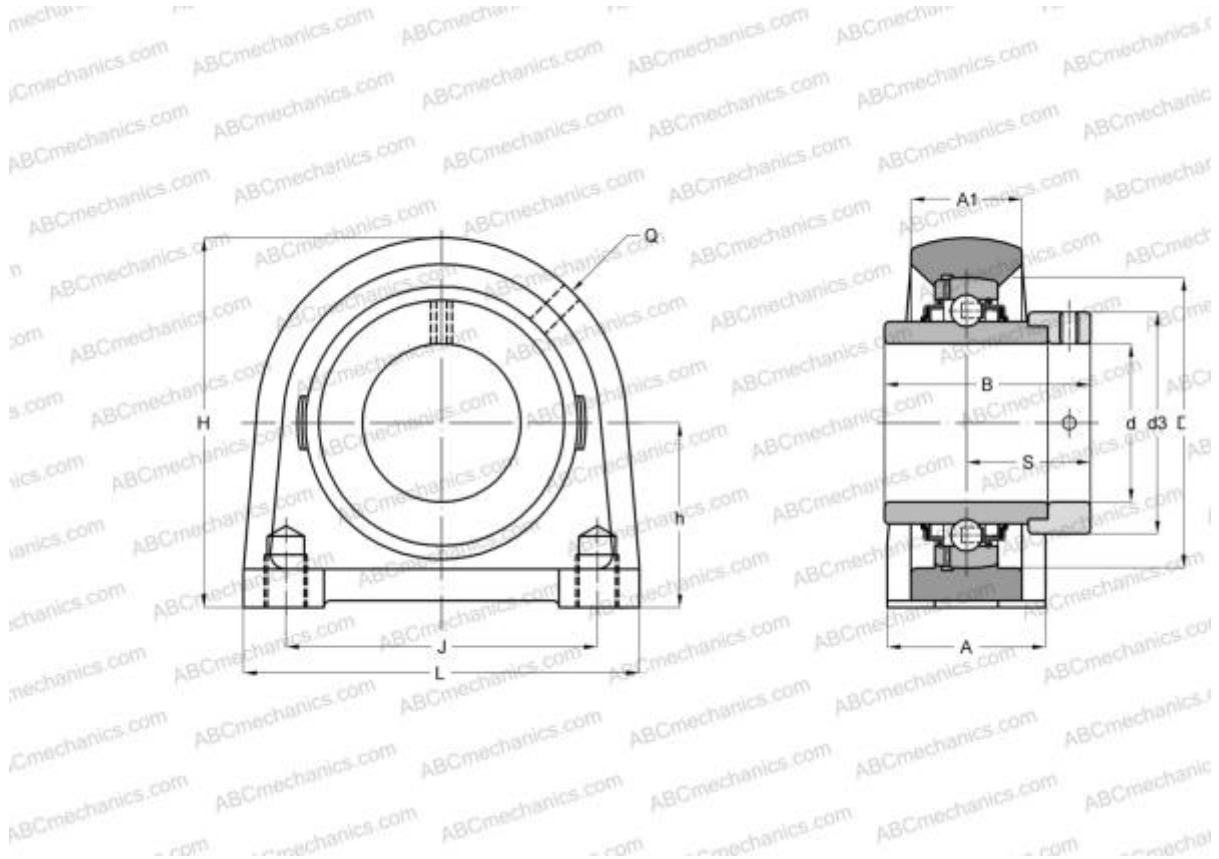


EXPG204 ABC

Ball bearing units

TYPE: Housing units, Plummer block, Narrow cast iron housing, Radial insert ball bearing with eccentric locking collar, With inner ring extended on both sides, wide base



Technical specification

DIMENSIONS, MM

d	20,000
D	47,000
B	43,500
L	70,000
H	64,000
A	38,000
J	49,000
A1	20,000
H1	14,000
S	26,500
d3	33,300
h	33,300
Q	M6x1

Bearing	EX204
Housing	PG204

MANUFACTURER

[ABC](#)

INTERCHANGE

SNR	EXPG204
-----	-------------------------

WEIGHT, KG 0,600