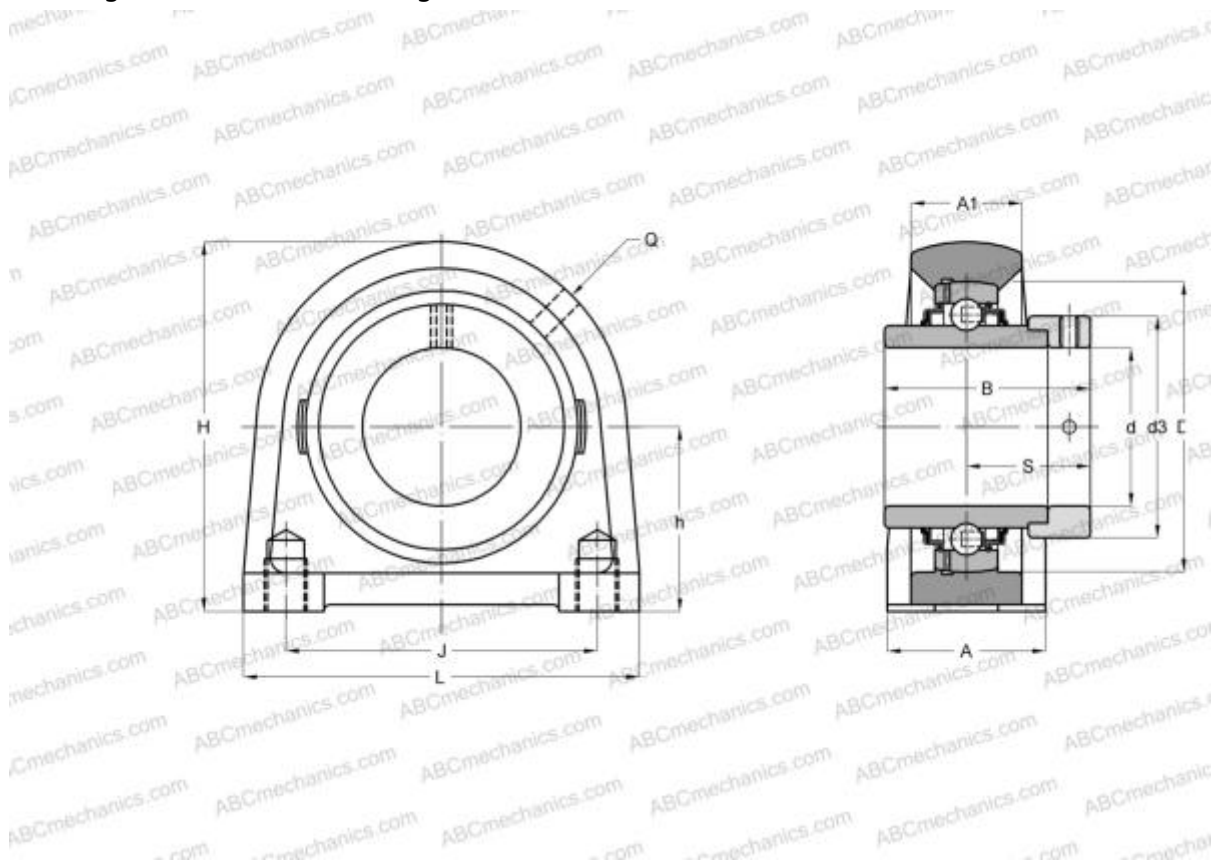


EXPG204 SNR

Ball bearing units

TYPE: Housing units, Plummer block, Narrow cast iron housing, Radial insert ball bearing with eccentric locking collar, With inner ring extended on both sides, wide base



Technical specification

DIMENSIONS, MM

| | |
|----|--------|
| d | 20,000 |
| D | 47,000 |
| B | 43,500 |
| L | 70,000 |
| H | 64,000 |
| A | 38,000 |
| J | 49,000 |
| A1 | 20,000 |
| H1 | 14,000 |
| S | 26,500 |
| d3 | 33,300 |
| h | 33,300 |
| Q | M6x1 |

| | |
|---------|-------|
| Bearing | EX204 |
| Housing | PG204 |

MANUFACTURER

[SNR](#)

INTERCHANGE

| | |
|-----|-------------------------|
| ABC | EXPG204 |
|-----|-------------------------|

CALCULATION DATA

| | |
|------------------------------|-----------|
| Basic dynamic load rating, C | 12,800 kN |
| Basic static load rating, Co | 6,650 kN |
| Operating temperature min | -20 °C |
| Operating temperature max | 110 °C |

| | |
|------------|-------|
| WEIGHT, KG | 0,600 |
|------------|-------|