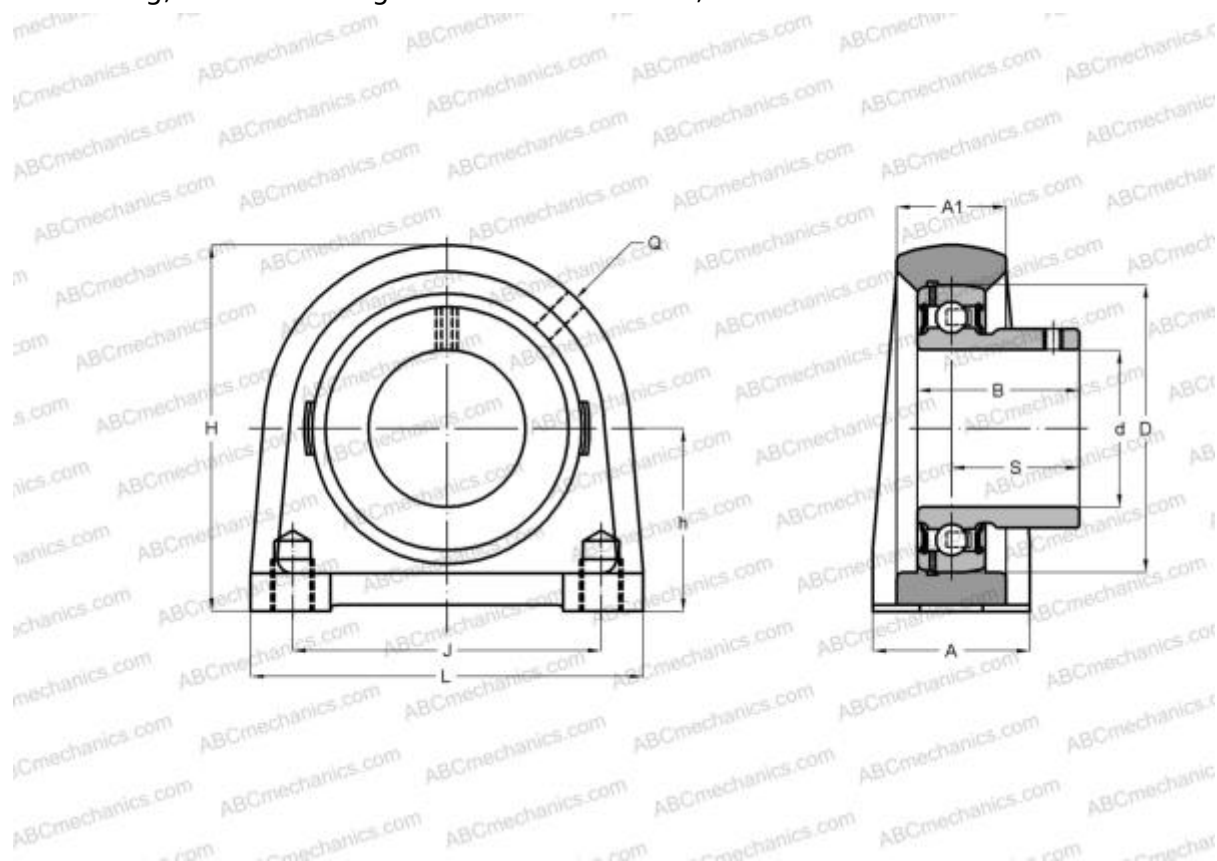


## USPG201 SNR

Ball bearing units

TYPE: Housing units, Plummer block, Narrow cast iron housing, Radial insert ball bearing with grub screws in inner ring, With inner ring extended at one side, wide base



### Technical specification

#### DIMENSIONS, MM

d	12,000
D	47,000
B	22,000
L	55,000
H	57,000
A	30,000
J	38,000
A1	13,000
H1	14,000
S	16,000
h	30,200
Q	M6x1

#### WEIGHT, KG

0,300

Bearing	US201
Housing	PG203

#### MANUFACTURER

[SNR](#)

#### INTERCHANGE

ABC [USPG201](#)

#### CALCULATION DATA

Basic dynamic load rating, C	9,550 kN
Basic static load rating, Co	4,780 kN
Operating temperature min	-20 °C
Operating temperature max	110 °C