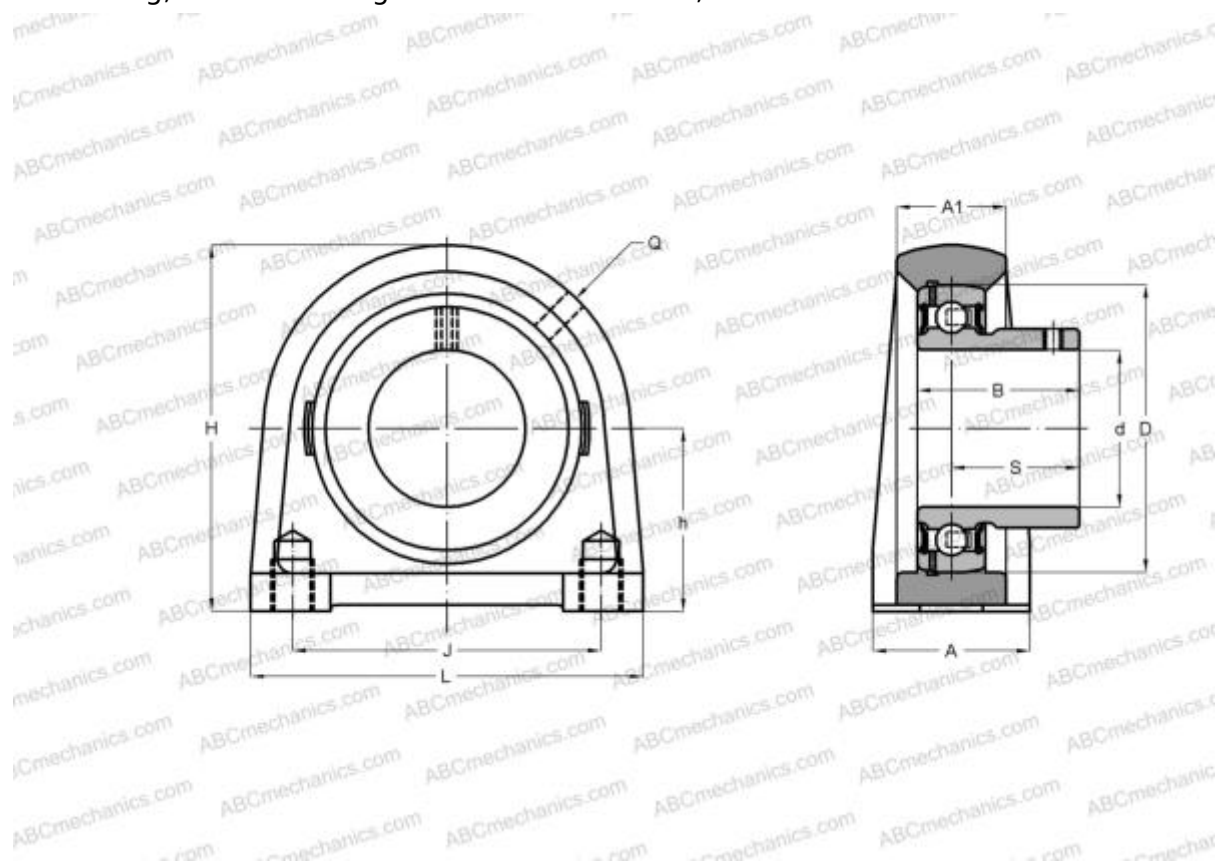


USPG202 SNR

Ball bearing units

TYPE: Housing units, Plummer block, Narrow cast iron housing, Radial insert ball bearing with grub screws in inner ring, With inner ring extended at one side, wide base



Technical specification

DIMENSIONS, MM

| | |
|----|--------|
| d | 15,000 |
| D | 47,000 |
| B | 22,000 |
| L | 55,000 |
| H | 57,000 |
| A | 30,000 |
| J | 38,000 |
| A1 | 13,000 |
| H1 | 14,000 |
| S | 16,000 |
| h | 30,200 |
| Q | M6x1 |

WEIGHT, KG

0,300

| | |
|---------|-------|
| Bearing | US202 |
| Housing | PG203 |

MANUFACTURER

[SNR](#)

INTERCHANGE

ABC [USPG202](#)

CALCULATION DATA

| | |
|------------------------------|----------|
| Basic dynamic load rating, C | 9,550 kN |
| Basic static load rating, Co | 4,780 kN |
| Operating temperature min | -20 °C |
| Operating temperature max | 110 °C |