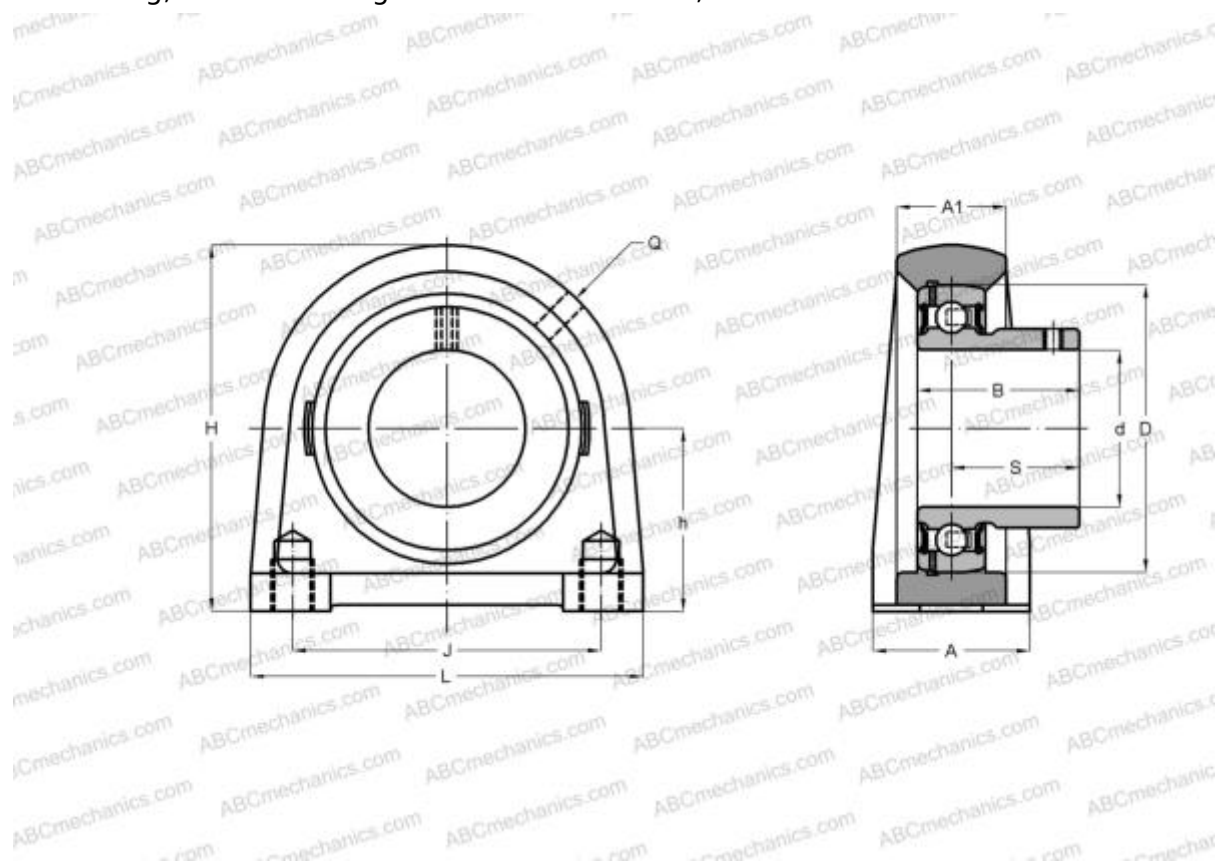


USPG204 SNR

Ball bearing units

TYPE: Housing units, Plummer block, Narrow cast iron housing, Radial insert ball bearing with grub screws in inner ring, With inner ring extended at one side, wide base



Technical specification

DIMENSIONS, MM

d	20,000
D	47,000
B	25,000
L	70,000
H	64,000
A	38,000
J	49,000
A1	20,000
H1	14,000
S	18,000
h	33,300
Q	M6x1

WEIGHT, KG

0,600

Bearing	US204
Housing	PG204

MANUFACTURER

[SNR](#)

INTERCHANGE

ABC [USPG204](#)

CALCULATION DATA

Basic dynamic load rating, C	12,800 kN
Basic static load rating, Co	6,650 kN
Operating temperature min	-20 °C
Operating temperature max	110 °C