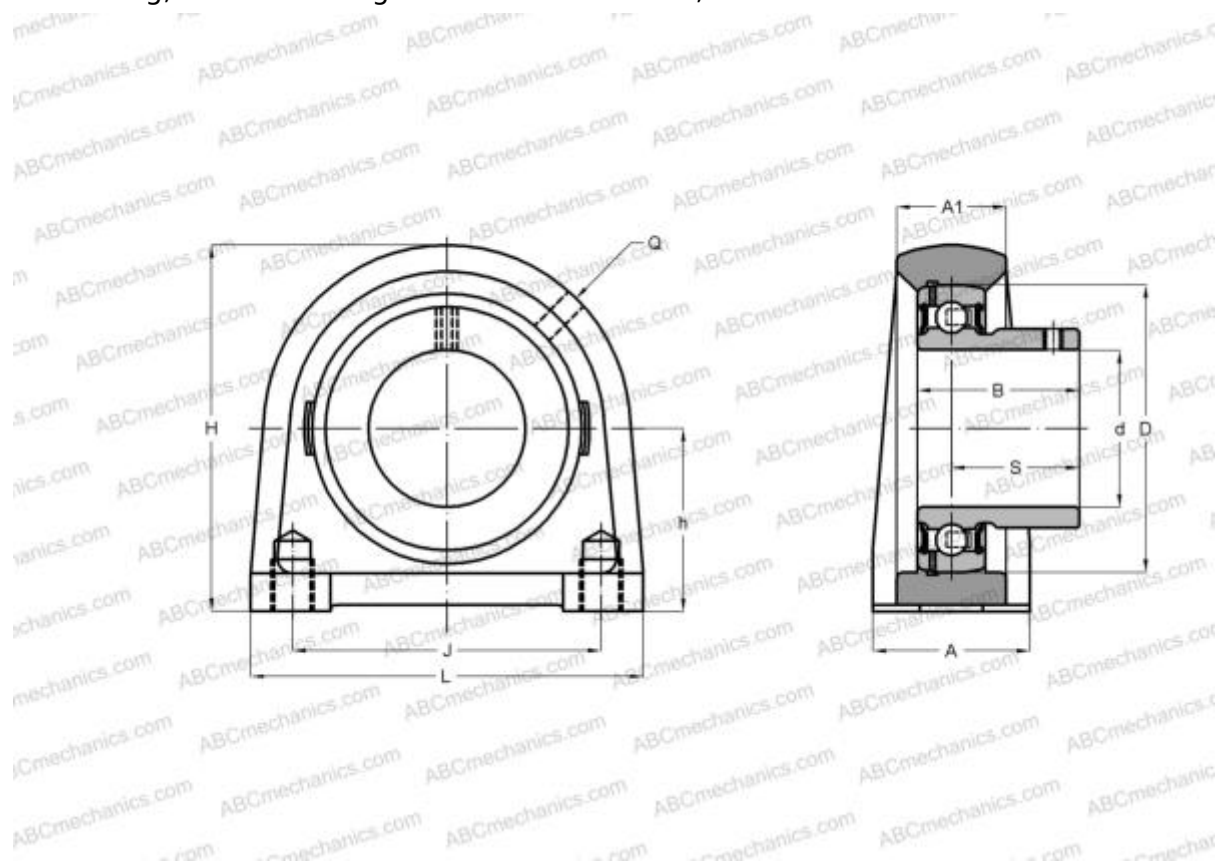


## USPG205 ABC

Ball bearing units

TYPE: Housing units, Plummer block, Narrow cast iron housing, Radial insert ball bearing with grub screws in inner ring, With inner ring extended at one side, wide base



### Technical specification

#### DIMENSIONS, MM

d	25,000
D	52,000
B	27,000
L	75,000
H	70,000
A	38,000
J	50,000
A1	25,000
H1	15,000
S	19,500
h	36,500
Q	M6x1

**WEIGHT, KG** 0,700

Bearing	US205
Housing	PG205

**MANUFACTURER** [ABC](#)

**INTERCHANGE** [SNR](#) [USPG205](#)