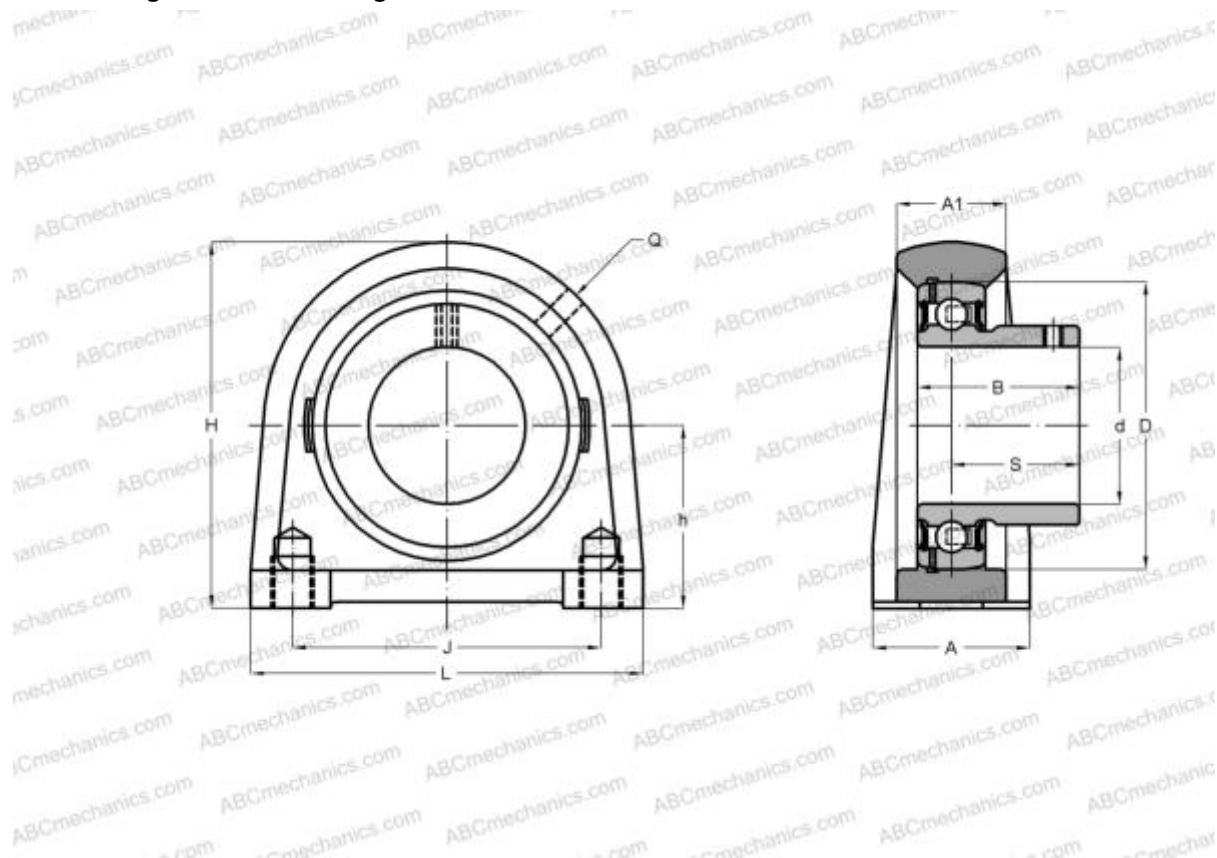


## USPG205 SNR

Ball bearing units

TYPE: Housing units, Plummer block, Narrow cast iron housing, Radial insert ball bearing with grub screws in inner ring, With inner ring extended at one side, wide base



### Technical specification

#### DIMENSIONS, MM

d	25,000
D	52,000
B	27,000
L	75,000
H	70,000
A	38,000
J	50,000
A1	25,000
H1	15,000
S	19,500
h	36,500
Q	M6x1

#### WEIGHT, KG

0,700

Bearing	US205
Housing	PG205

#### MANUFACTURER

[SNR](#)

#### INTERCHANGE

ABC	<a href="#">USPG205</a>
-----	-------------------------

#### CALCULATION DATA

Basic dynamic load rating, C	14,000 kN
Basic static load rating, Co	7,880 kN
Operating temperature min	-20 °C
Operating temperature max	110 °C