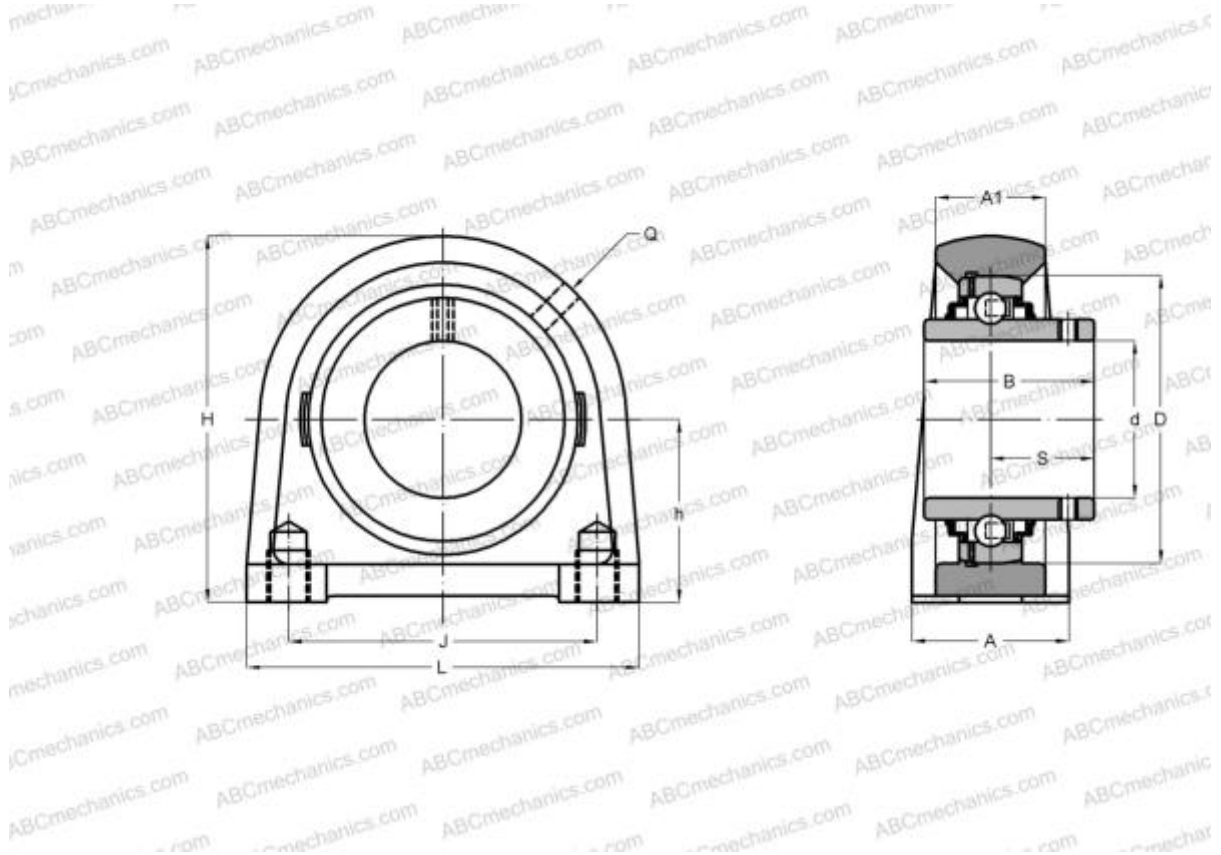


## UCPG201 ABC

Ball bearing units

TYPE: Housing units, Plummer block, Narrow cast iron housing, Radial insert ball bearing with grub screws in inner ring, With inner ring extended on both sides, wide base



### Technical specification

#### DIMENSIONS, MM

d	12,000
D	47,000
B	31,000
L	70,000
H	64,000
A	38,000
J	49,000
A1	20,000
H1	14,000
S	18,300
h	33,300
Q	M6x1

#### WEIGHT, KG

0,600

Bearing	UC201
Housing	PG204

#### MANUFACTURER

[ABC](#)

#### INTERCHANGE

SNR	<a href="#">UCPG201</a>
-----	-------------------------