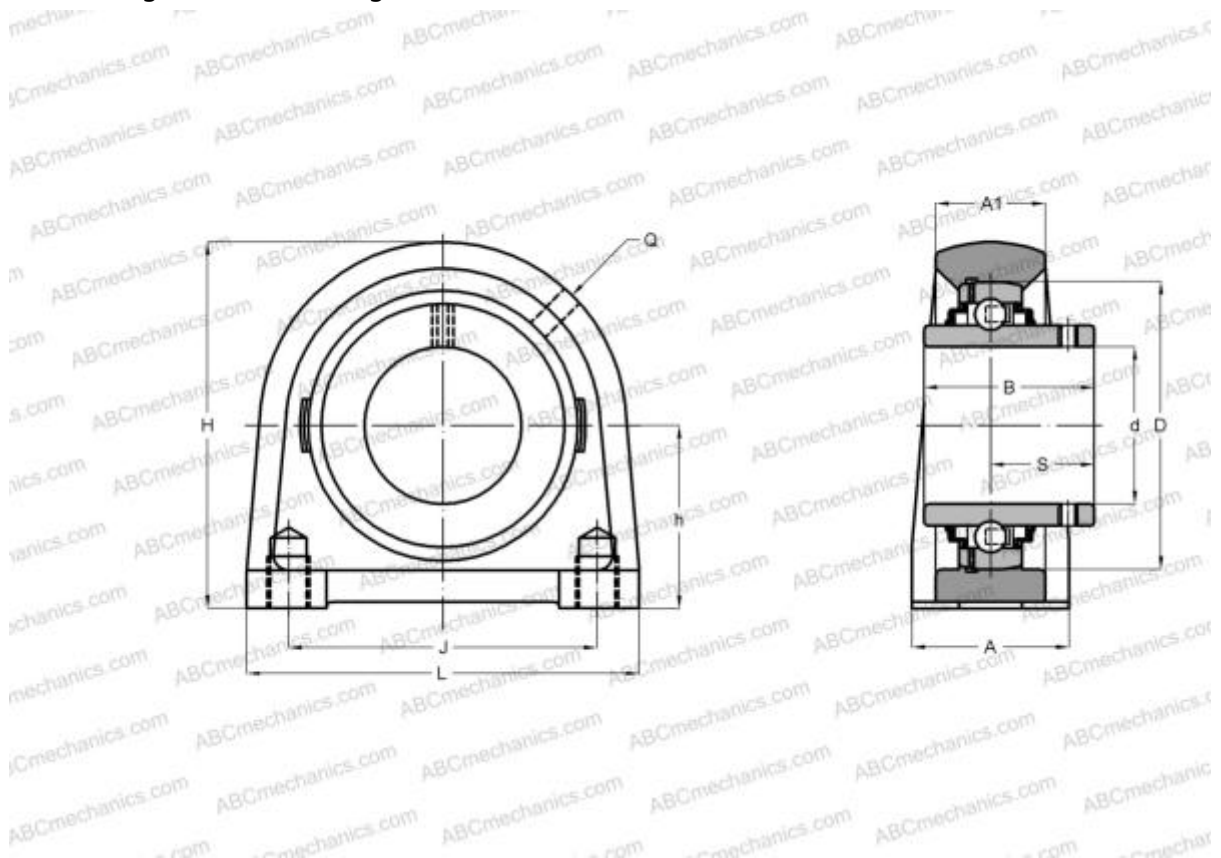


UCPG202 ABC

Ball bearing units

TYPE: Housing units, Plummer block, Narrow cast iron housing, Radial insert ball bearing with grub screws in inner ring, With inner ring extended on both sides, wide base



Technical specification

DIMENSIONS, MM

d	15,000
D	47,000
B	31,000
L	70,000
H	64,000
A	38,000
J	49,000
A1	20,000
H1	14,000
S	18,300
h	33,300
Q	M6x1

WEIGHT, KG 0,600

Bearing	UC202
Housing	PG204

MANUFACTURER [ABC](#)

INTERCHANGE
SNR [UCPG202](#)