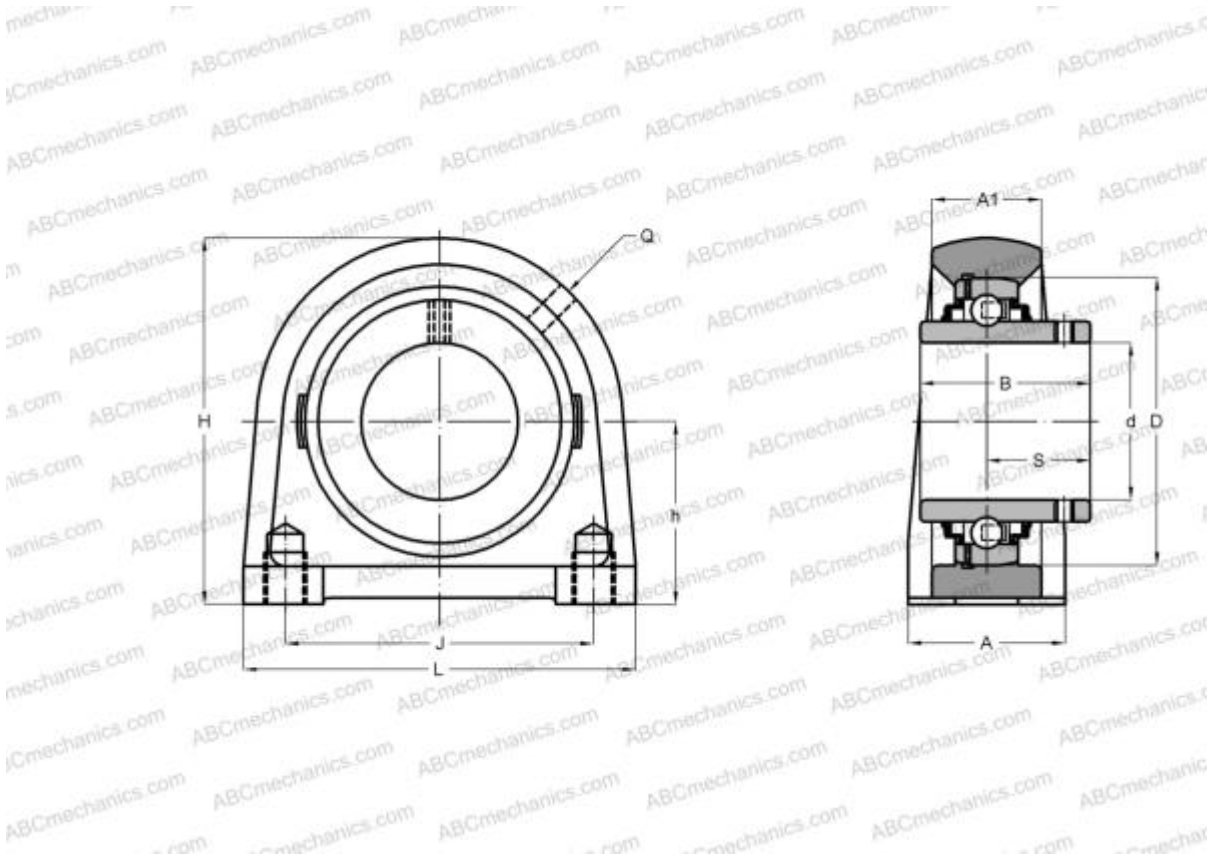


## UCPA202 SNR

Ball bearing units

TYPE: Housing units, Plummer block, Narrow cast iron housing, Radial insert ball bearing with grub screws in inner ring, With inner ring extended on both sides, massive bearing units



### Technical specification

#### DIMENSIONS, MM

d	15,000
D	47,000
B	31,000
L	76,000
H	62,000
A	40,000
J	52,000
A1	22,000
H1	11,000
S	18,300
h	30,200
Q	M6x1

#### WEIGHT, KG

0,600

#### CALCULATION DATA

Operating temperature max	110 °C
---------------------------	--------

Bearing	UC202
Housing	PA204

#### MANUFACTURER

[SNR](#)

#### INTERCHANGE

ABC	<a href="#">UCPA202</a>
ASAHI	<a href="#">UCPA 202</a>
SLB	<a href="#">UCPA202</a>
FYH	<a href="#">UCPA202</a>
NTN	<a href="#">UCUP202 D1</a>

#### CALCULATION DATA

Basic dynamic load rating, C	12,800 kN
Basic static load rating, Co	6,650 kN
Operating temperature min	-20 °C