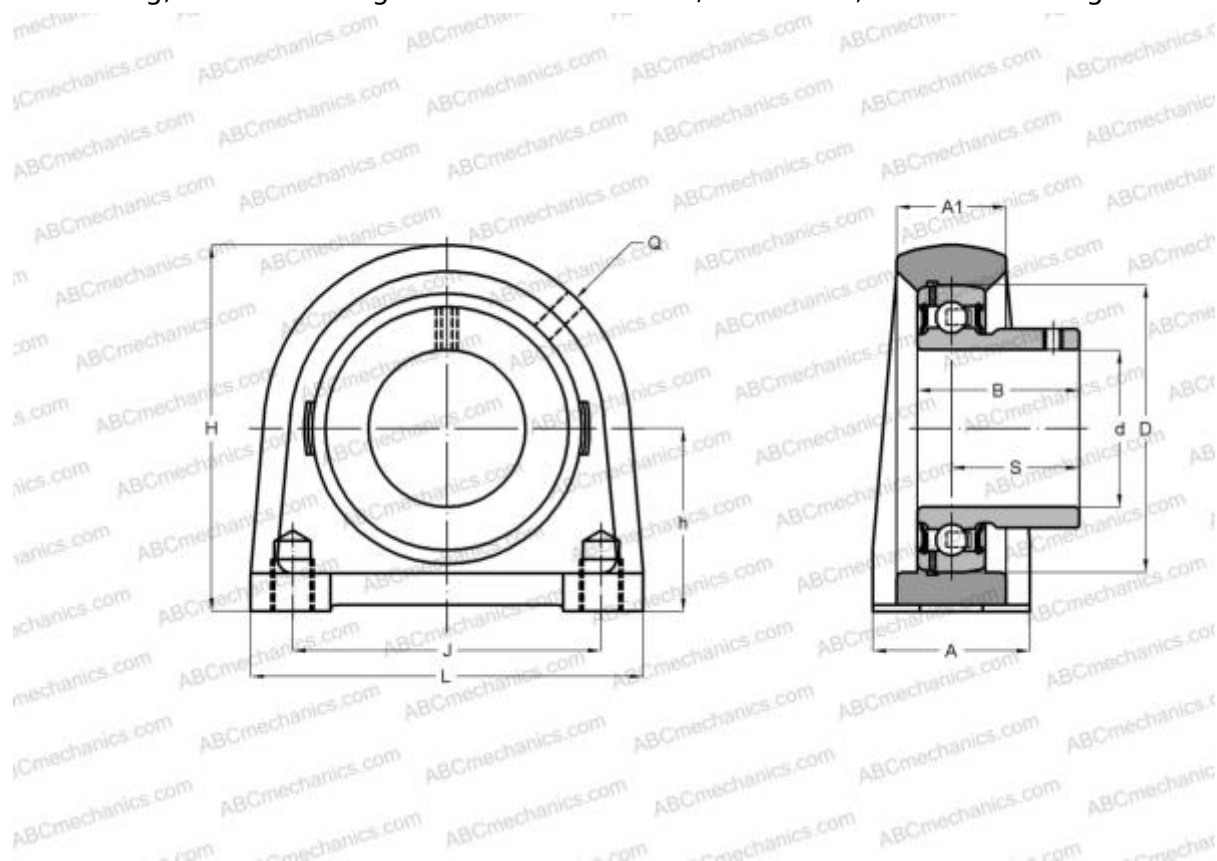


## USPA202 SNR

Ball bearing units

TYPE: Housing units, Plummer block, Narrow cast iron housing, Radial insert ball bearing with grub screws in inner ring, With inner ring extended at one side, wide base, massive bearing units



### Technical specification

#### DIMENSIONS, MM

d	15,000
D	40,000
B	22,000
L	70,000
H	57,000
A	36,000
J	48,000
A1	19,000
H1	10,000
S	16,000
h	30,200
Q	M6x1

#### WEIGHT, KG

0,400

Bearing	US202
Housing	PA203

#### MANUFACTURER

[SNR](#)

#### INTERCHANGE

ABC	<a href="#">USPA202</a>
-----	-------------------------

#### CALCULATION DATA

Basic dynamic load rating, C	9,550 kN
Basic static load rating, Co	4,780 kN
Operating temperature min	-20 °C
Operating temperature max	110 °C