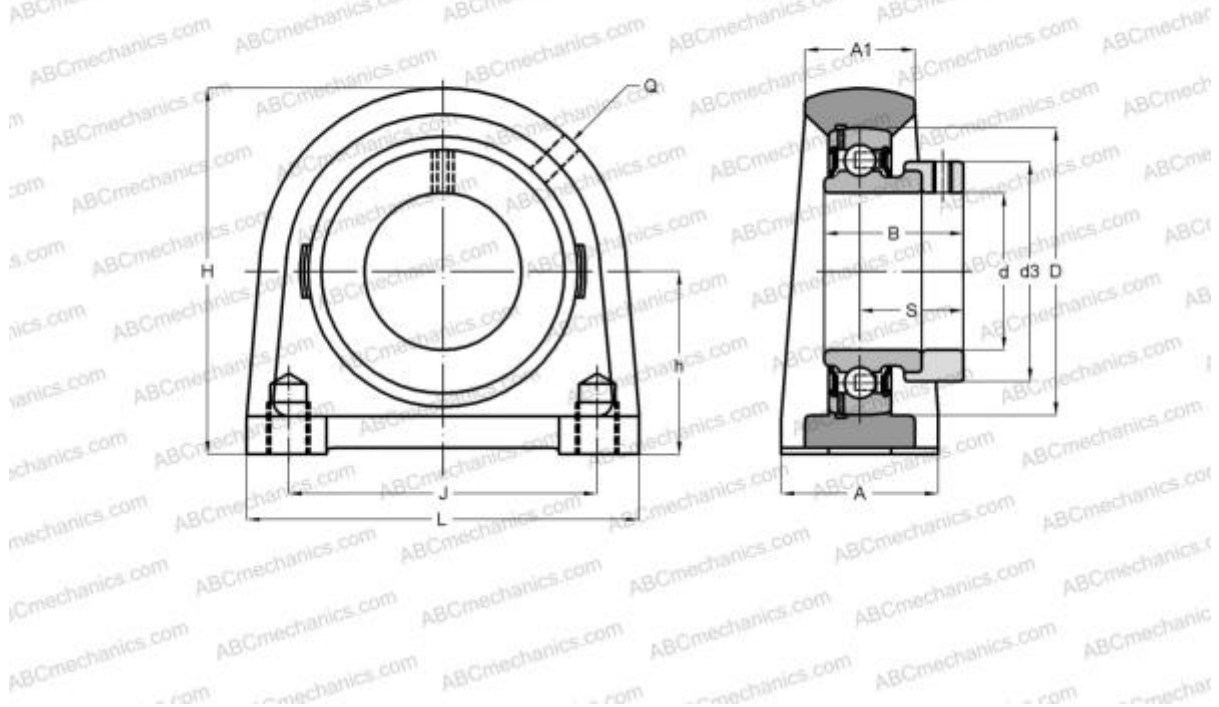


ESPA205 ABC

Ball bearing units

TYPE: Housing units, Plummer block, Narrow cast iron housing, Radial insert ball bearing with eccentric locking collar, With inner ring extended at one side, wide base, massive bearing units



Technical specification

DIMENSIONS, MM

d	25,000
D	52,000
B	30,900
L	84,000
H	72,000
A	38,000
J	56,000
A1	23,000
H1	12,000
S	23,400
d3	38,100
h	36,500
Q	M6x1

Bearing	ES205
Housing	PA205

MANUFACTURER

[ABC](#)

INTERCHANGE

SNR	ESPA205
-----	-------------------------

WEIGHT, KG

0,700