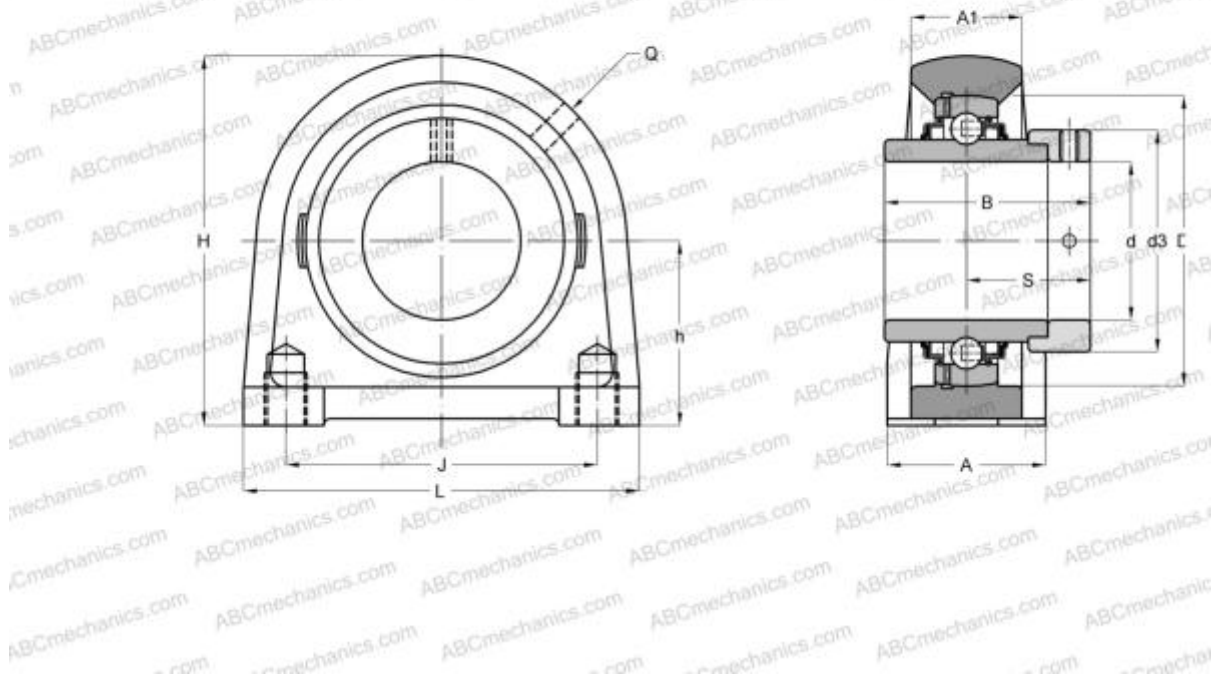


## EXPA202 ABC

Ball bearing units

TYPE: Housing units, Plummer block, Narrow cast iron housing, Radial insert ball bearing with eccentric locking collar, With inner ring extended on both sides, massive bearing units



### Technical specification

#### DIMENSIONS, MM

d	15,000
D	47,000
B	43,500
L	76,000
H	62,000
A	40,000
J	52,000
A1	22,000
H1	11,000
S	26,500
d3	33,300
h	30,200
Q	M6x1

**WEIGHT, KG** 0,600

Bearing	EX202
Housing	PA204

**MANUFACTURER** [ABC](#)

**INTERCHANGE** SNR [EXPA202](#)